

Yifan Motor - Drive the future

COMPANY PROFILE

Company Overview

Yifan Motor (Stock code: 301023.SZ), based in Wuxi, China's "Home of Manufacturing", was founded in 1993 and listed on the Shenzhen Stock Exchange in 2021.

Business Focus

We specialize in R&D, manufacturing, and sales of micro gear motors & drive control products, and offer one-stop solution of gearboxes, motors, and drive controllers.

Industry Position

With 33 years of industry experience and innovation, Yifan Motor has become a strategic partner and leading integrated solution provider for renowned enterprises like Siemens, Schneider, ABB, and Eaton.



CONTACT US

JIANGNAN YIFAN MOTOR CO.,LTD.

Add. No.7 Yan Yu Road, Hui Shan District, Wuxi, Jiangsu,China
No.88 Yan Lian Road, Hui Shan District, Wuxi, Jiangsu,China

Tel. +86-510-83741032/+86-17317538873

Eml. sales@yifanmotor.com

Web. http://www.yifanmotor.com

FAX. +86-510-83570683

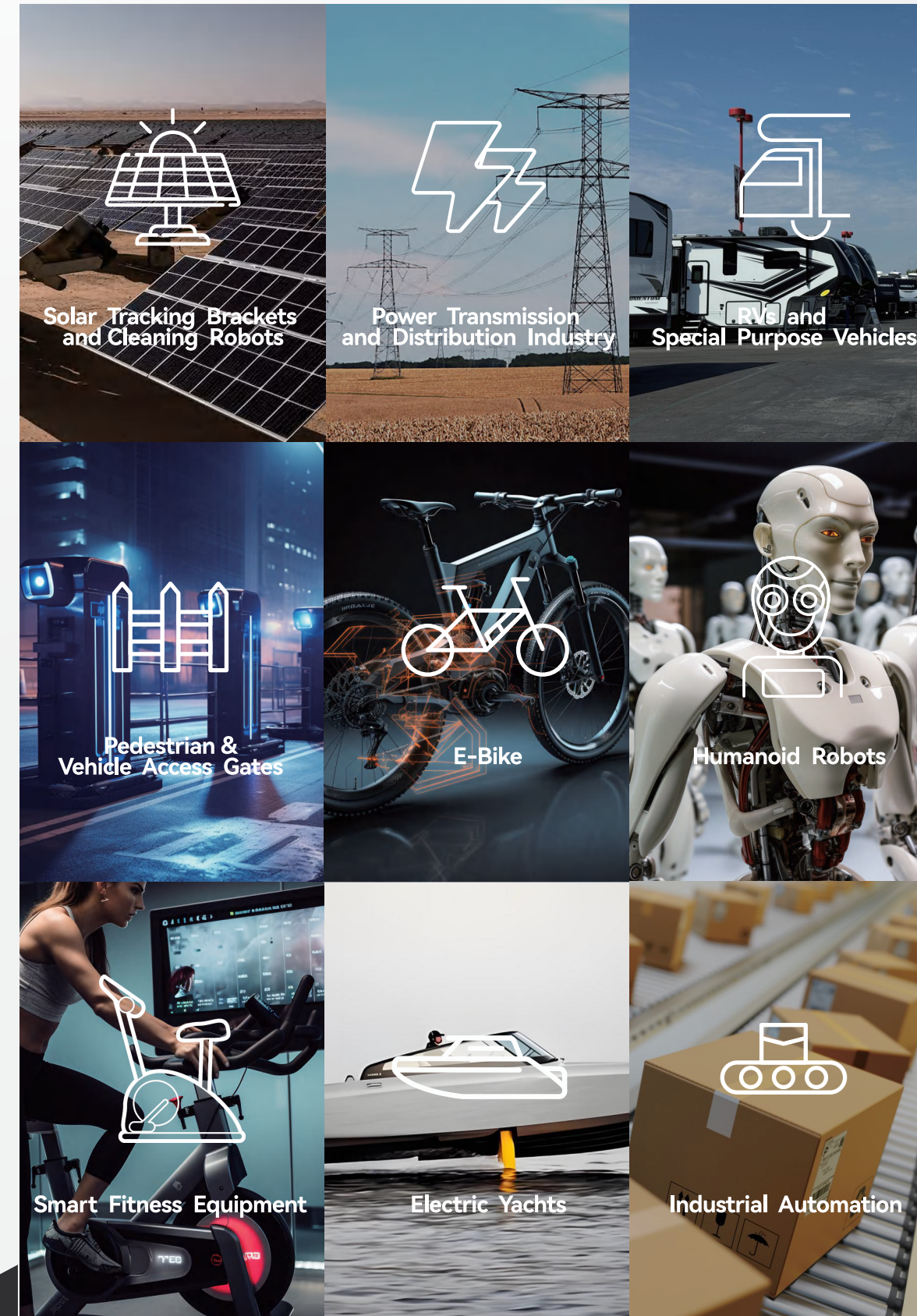


WeChat official account



WeChat Video Account

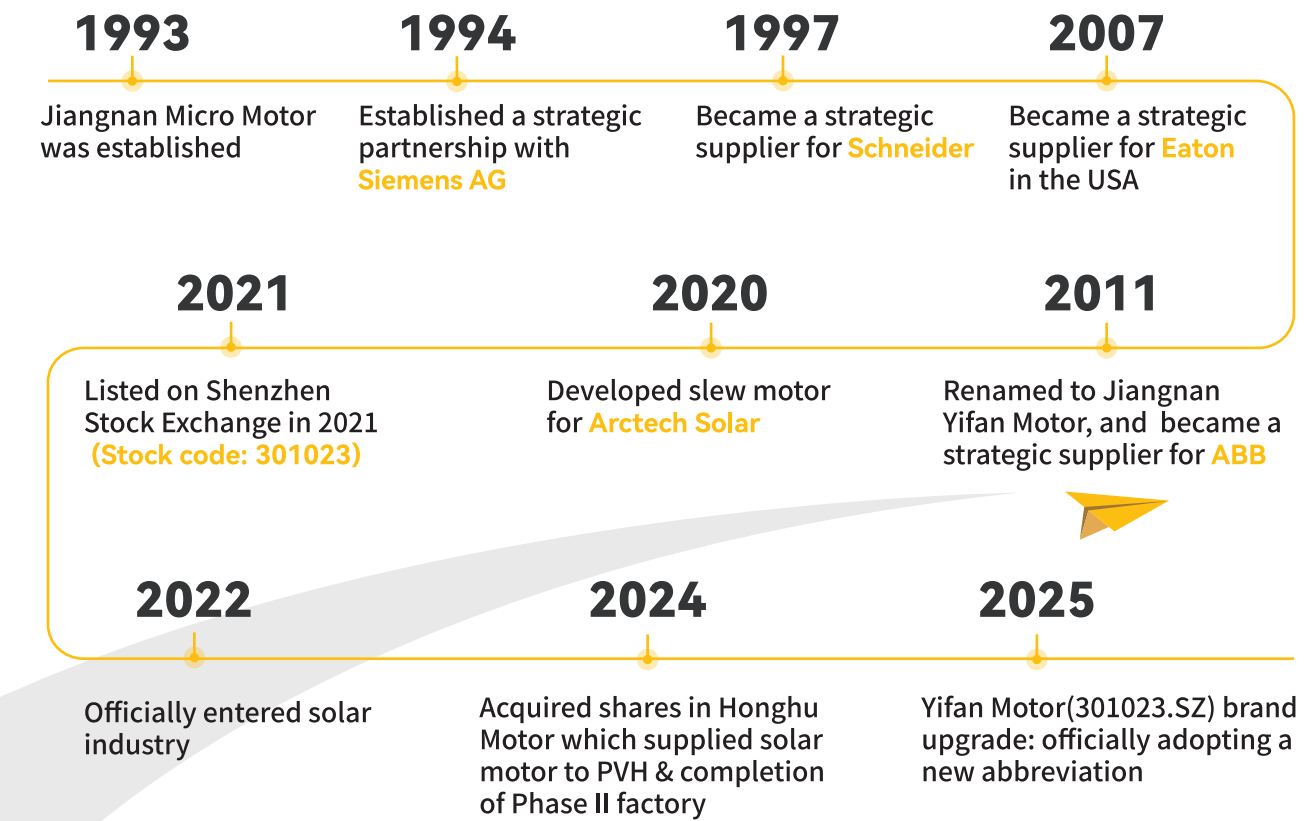
APPLICATION SCENARIOS



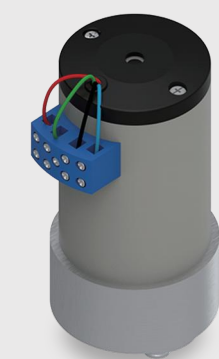
PARTNERS



DEVELOPMENT PATH



Medium and high voltage disconnect motors



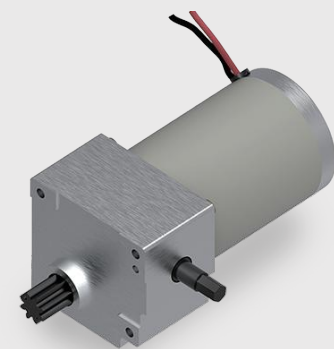
Feature

- Compact design
- Reduce vibration
- Multiple models to choose from
- PA66 material end cap

HDZ-22403C 系列参数

Serial parameter

Model	Rated Voltage(V)	Rated Current(A)	Rated Output(w)	Rated Speed(rpm)	Rated Torque(N.m)
HDZ-23603C	AC/DC220	3.3	360	300	11.46



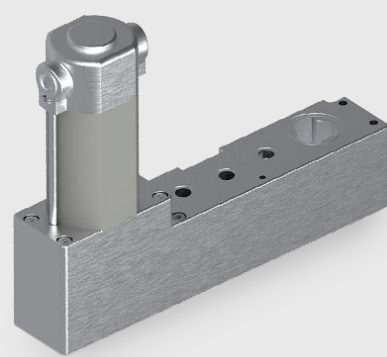
Feature

- Modular design
- Optional manual shaft
- Save installation space

64ZY-CJ2090-6 系列参数

Serial parameter

Model	Rated Voltage(V)	Rated Current(A)	Rated Output(w)	Rated Speed(rpm)	Rated Torque(N.m)
64ZY-CJ2090-6	DC220	0.8	90	155	5.55



Feature

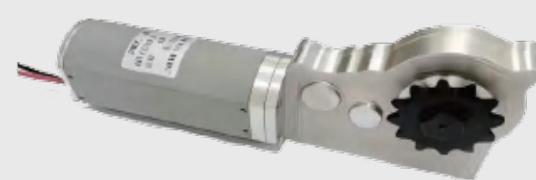
- Integrated design
- Reduce failure rate and after-sales costs
- Reduction in comprehensive cost
- High-performance transmission system
- High protection level, extended service life

40ZY-CJ212-4 系列参数

Serial parameter

Model	Rated Voltage(V)	Rated Current(A)	Rated Output(w)	Rated Speed(rpm)	Rated Torque(N.m)
40ZY-CJ212-4	220VDC	2.2	120	30	38

Motor for the RV industry



Feature

- Self-locking function
- Embedded design, small size
- lightweight
- Reduce manual labor

40ZY-CJ01040-29 系列参数

Serial parameter

Model	Rated Voltage(V)	Rated Current(A)	Rated Output(w)	Rated Speed(rpm)	Rated Torque(N.m)
40ZY-CJ01040-29	12	16	40	20	20

High-power servo controller



Feature

- Over-temperature and over-current protection
- Hall error protection
- Speed adjustment via internal and external potentiometers
- high-precision control

驱动器参数

Serial parameter

Model	Rated Output(w)	Rated Voltage(V)	Work System(%)	Rated Speed(rpm)	Ambient Temperature(°C)	Ambient Humidity(%)
YF-G4810M	450	DC48+/-10%V	25%	300-750	0-40°C	≤85%

Electric handcart controller



Feature

- A wide range of usage scenarios
- Efficiency improvement
- The product quality is stable

系列参数

Serial parameter

Model	Rated Voltage(V)	Rated Current(A)	Rated Output(w)	Ambient Temperature(°C)	Contact Method	Remark
YF-BDC-05B	AC/DC110V	1	< 300W	-25°C ~ 55°C	RS485	Rail-guided
YF-BDC1A-05A-02	AC/DC220V					Panel type

Permanent magnet DC brush motor



Feature

- Reduce costs
- Resist extreme weather
- Reduce safety hazards
- More durable

■ 88ZY-CJ02070-150A

■ 88ZY-CJ02070-150B

68ZY-CJ02065-162 系列参数

Serial parameter

Model	Rated Voltage(V)	Rated Current(A)	Rated Power(W)	Speed Ratio	Rated Speed(rpm)	Rated Torque(N·m)	Maximum Torque(N·m)
68ZY-CJ02065-162	24	6±10%	65	65	2.5	240	480



Feature

- Efficient cleaning effect
- low vibration
- Intelligent operation
- Long-term use guarantee
- Facilitate operation on the panel frame

■ 64ZY-CJ02090-7C-30

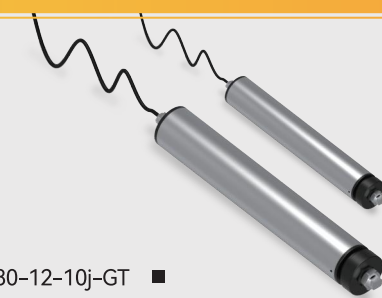
■ 64ZY-CJ0212-7C-30

64ZY-CJ0212-7C-30 系列参数

Serial parameter

Model	Rated Voltage(V)	Rated Current(A)	Rated Power(W)	Speed Ratio	Rated Speed(rpm)	Rated Torque(N·m)	Maximum Torque(N·m)
64ZY-CJ0212-7C-30	24	8±10%	120	36:1	130±15%	8.8	20
64ZY-CJ02090-7C-30	24	6.7±10%	90	36:1	120	7.16	20

Brushless DC servo electric roller



Feature

- Direct-drive integrated structure
- Efficient and low-noise operation
- Millisecond-level response
- Long-life design
- High torque-to-inertia ratio
- Quick start-stop adaptation

■ W6360-12-10j-GT

W7680-12-10j-GT ■

系列参数

Serial parameter

Model	Rated Voltage(V)	Rated Current(A)	Rated Power(W)	Speed Ratio	Rated Speed(rpm)	Rated Torque(N·m)	Maximum Torque(N·m)
W6360-12-10j-GT	48	4.5	400	/	750	5	9
W7680-12-10j-GT	48	6.5	600	/	750	7.6	13

Gate motor



Feature

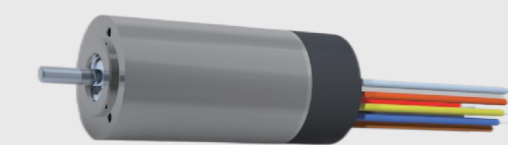
- High Efficiency and Energy Saving
- Low-noise operation
- Easy to maintain
- Fast response speed

68ZY-CJ02065-162 系列参数

Serial parameter

Model	Rated Voltage(V)	Rated Current(A)	Rated Output(w)	Rated Speed(rpm)	Rated Torque(N.m)
G2BLD40-24-18S	24VDC	2.8	3.8	4.8	5.8
3251	24VDC	5.7	98	1800±10%	0.52

Coreless motor



Feature

- High efficiency
- Quick response
- Low inertia
- Soltless
- Runs smoothly

16mm技术参数

Serial parameter

Rated Voltage	Rated Torque	Rated Current	Rated Speed	No-load Speed	No-load Current
12V	1.4mN.M	0.7A±30%	45360rpm±10%	47000rpm±10%	0.3A±50%

22mm技术参数

Serial parameter

Rated Voltage	Rated Torque	Rated Current	Rated Speed	No-load Speed	No-load Current
24V	11mN.M±20%	2.4A±20%	37000rpm±10%	40000rpm±10%	0.4A±50%

Joint motor



Feature

- High power-to-weight ratio
- Strong precision control
- Compact integration
- Fast dynamic response
- Stable low-noise operation
- Low energy consumption and high efficiency
- High reliability and durability

系列参数

Serial parameter

Rated Voltage	Rated Torque	Maximum Torque	Rated Speed	No-load Speed	Reduction Ratio
48V	40N.M	120N.M	167rpm±10%	200rpm±10%	9:1