

**YIFAN**  
**MOTOR**

奕帆电力

**YIFAN MOTOR, Gearing your business up!**

- Three Phase Asynchronous motor
- Single Phase Capacitor Operation motor
- PMDC motor
- AC/DC motor

## Corporate Overview

JIANGNAN YIFAN MOTOR CO.,LTD former JIANGNAN MICRO MOTOR ,WUXI ,CHINA is the largest geared motor manufacturing service provider in the power distribution and transmission industry of CHINA. Since we started spring charging motor and gearbox assembly work in 1992, we have continuously improved our ability for providing high quality drive motion solutions to international customers in the industrial controllers, automotives, electricity-switching devices and motor operating mechanisms. In this respect, we have been in the great business partnership with relevant world leading companies. In compliance with our service for many potential clients worldwide, we are very confident to support them achieving the successful business with our latest drive and motion technology.

Since late 2011, JIANGNAN MICRO MOTOR becomes a Limited Company and has a new business name trading as JIANGNAN YIFAN MOTOR CO., LTD to handle all the necessary geared motor business oversea and new motor product inquires worldwide.

Our high-profile OEM customer worldwide include ABB, SIEMENS ENERGY PTD, EATON Electric, SCHNEIDER Electric (SSBEA), HYUNDAI Heavy Industries, JAPAN AE Power, Chung-Hsin Electric and Machinery Manufacturing Corp and many many more.



# YIFAN

Global Certificates

## Global Certificates

### Power T&D Industry Winning Awards

ISO 14001 certified by QAC  
ISO 9001-2008 certified by QAC  
UL Compliant  
CE Compliant  
ROHS Compliant  
CCC Compliant  
DNB database registered



EATON

Eaton  
Corporation's  
Supplier Excellence  
Award

# YIFAN

Power T&D Industry Winning Awards

## Power T&D Industry Winning Awards

### Power T&D Industry Winning Awards Honored By Global Technology leader

JIANGNAN YIFAN MOTOR CO.,LTD [JIANGNAN MICRO MOTOR,Wuxi CHINA]attended the EATON Supplier Excellence Awards in Cleveland, USA and received the Premier Supplier Award from EATON Corporation on Mar 28th, 2007.



## Mission Statement

### OUR VISION

To be the leading global provider of motor drive solutions needed for power transmission and distributions equipments and electrical switching products.

### OUR MISSION

SERVE diversified industrial sectors by manufacturing high quality motor drives that operate or position other mechanical equipment.

Design cost-effective and reliable motion solutions based on a rich foundation of motor product patents, technical experiences, design innovations and industrial reputations.

## Customer Goodwill

Why choose JIANGNAN YIFAN MOTOR CO., LTD (JIANGNAN MICRO MOTOR Wuxi CHINA)?

JIANGNAN YIFAN MOTOR' s manufacturing facilities offer the right mix of automation and manual labor that enables us to build motors that are comparable to American and European made motors in performance and reliability. We strive to offer best-in-class products, and have a benchmark of excellence for all of our processes. These high standards of production process may result in slightly higher initial costs, but ultimately eliminate product failures on the production line.

Why not reducing your sourcing costs to increase the future profitability and competitiveness?

JIANGNAN YIFAN MOTOR' s streamlined manufacturing system and significantly lower cost structure helps you compete more effectively with other major players in your product sector. Your capital investment in any contract manufacturing program with JIANGNAN YIFAN MOTOR is significantly lower than in-house production due to lower tooling costs and no need for investment in any machinery or inventories.

A short list of our strategic business partner worldwide



2017  
Supplier Excellence Award

## Quality Management

JIANGNAN YIFAN MOTOR CO.,LTD (JIANGNAN MICRO MOTOR,Wuxi CHINA) has been synonymous with high performance and well engineered motors. We have achieved this reputation through a 'Company-wide Quality Approach' Our quality initiatives include:

### Quality Policy

Ensuring customer satisfaction through best-in-class products and services; setting and upholding an industry-wide standard of excellence.

### Target Quality Level

0 PPM at customer

100 PPM in manufacturing process

Zero customer claims

### Testing and Inspection Facilities for Product Verification

Load testing and endurance testing facilities, environmental test chambers, and a standards laboratory, along with dedicated gauges and mechanical instruments are used extensively.

High precision inspection machines like the universal tool measuring instrument, armature rotor inspection system, and stator integration testing system effectively ensure accuracy of the inspected data.

We promise 100% in-house functionality before shipment. Advanced simulated inspection measures are adopted to ensure the excellent performance and reliability of our products.

### Quality Systems as per ISO 9001:2008

The company strictly adheres to ISO9001:2008 quality system certification requirements. We strictly control each stage of manufacturing processes, and work to continually improve processes.

### Quality Suppliers

Most of our suppliers are ISO 9001-2008 and/or TS 16949 certified. Several parts that we use are also CE, UL, and CSA approved. The assurance of high-quality components enables us to manufacture motors with higher performance.

### Services and Lead Time

Normally, products can be produced with a 45 day lead time, however 30 days is possible for urgent orders. Technical support engineers are available for in-house support within 24 hours for domestic customers

**Part No.:**

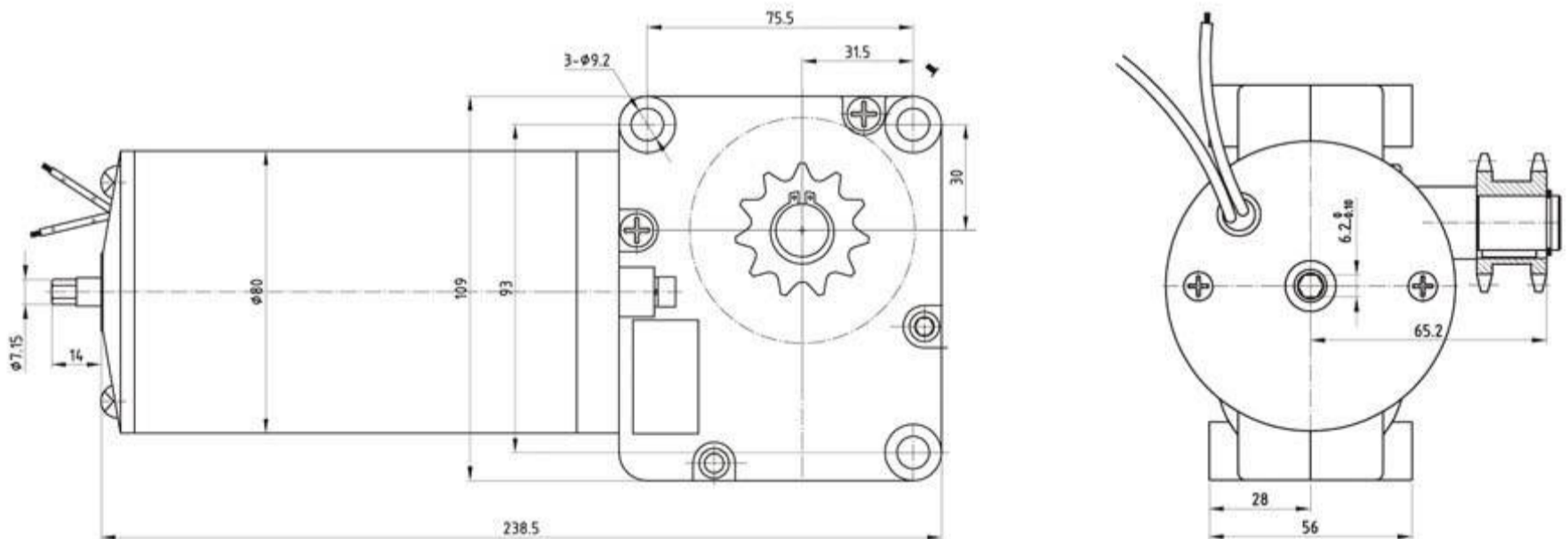
MC193C-3

**Application:**

Recreational Vehicle

**Major Technical Parameters**

Part No.	Rated Voltage (V)	Rated Current (A)	Rated Power (W)	Rated Speed (r/min)	Rated Torque (N.m)	Working System (1min)
MC193C-3	DC 12	14	40	14	27.31	S2 1min

**Outline Drawing**

**Part No.:**

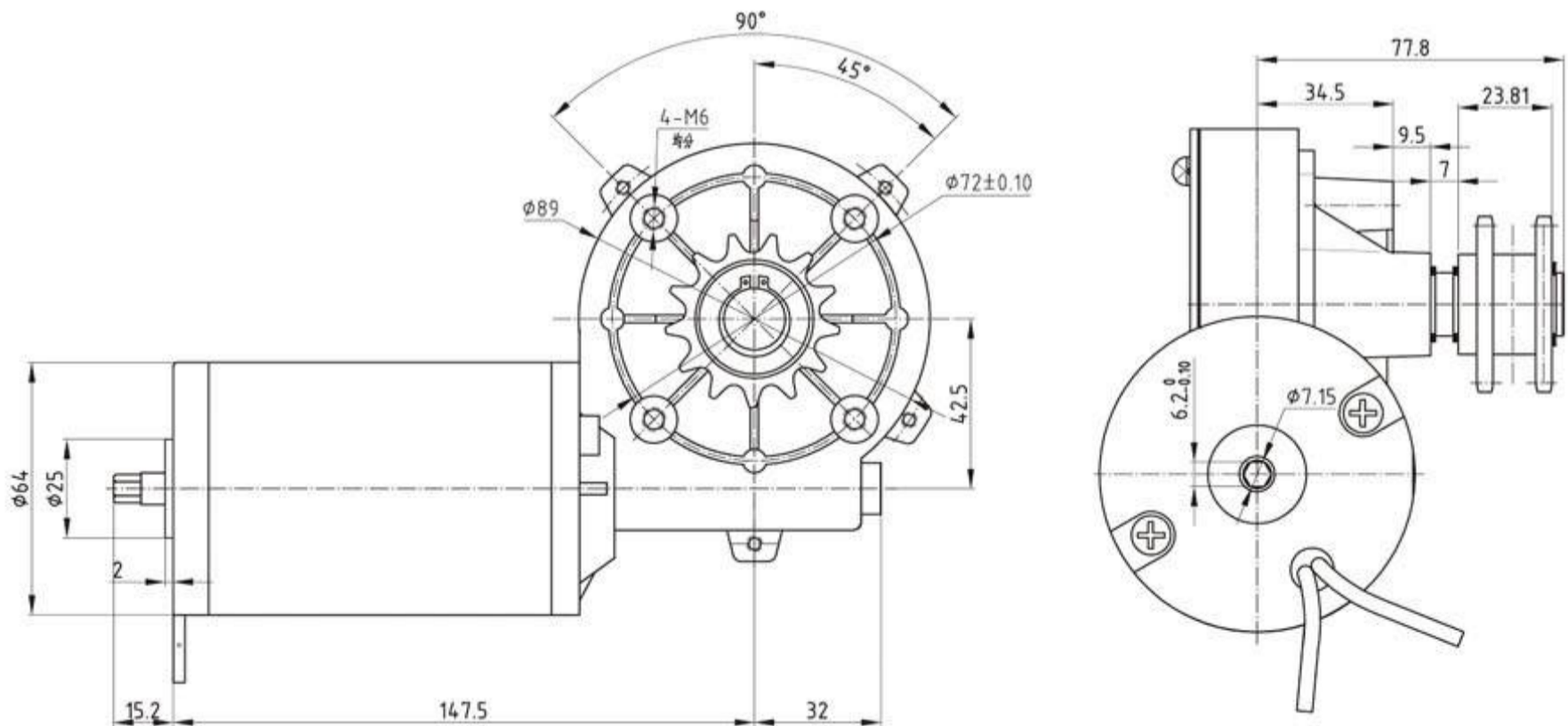
MC193C-2

**Application:**

Recreational Vehicle

**Major Technical Parameters**

Part No.	Rated Voltage (V)	Rated Current (A)	Rated Power (W)	Rated Speed (r/min)	Rated Torque (N.m)	Working System (1min)
MC193C-2	DC 12	4.2	12	34	3.4	S2 1min

**Outline Drawing**

**Part No.:**

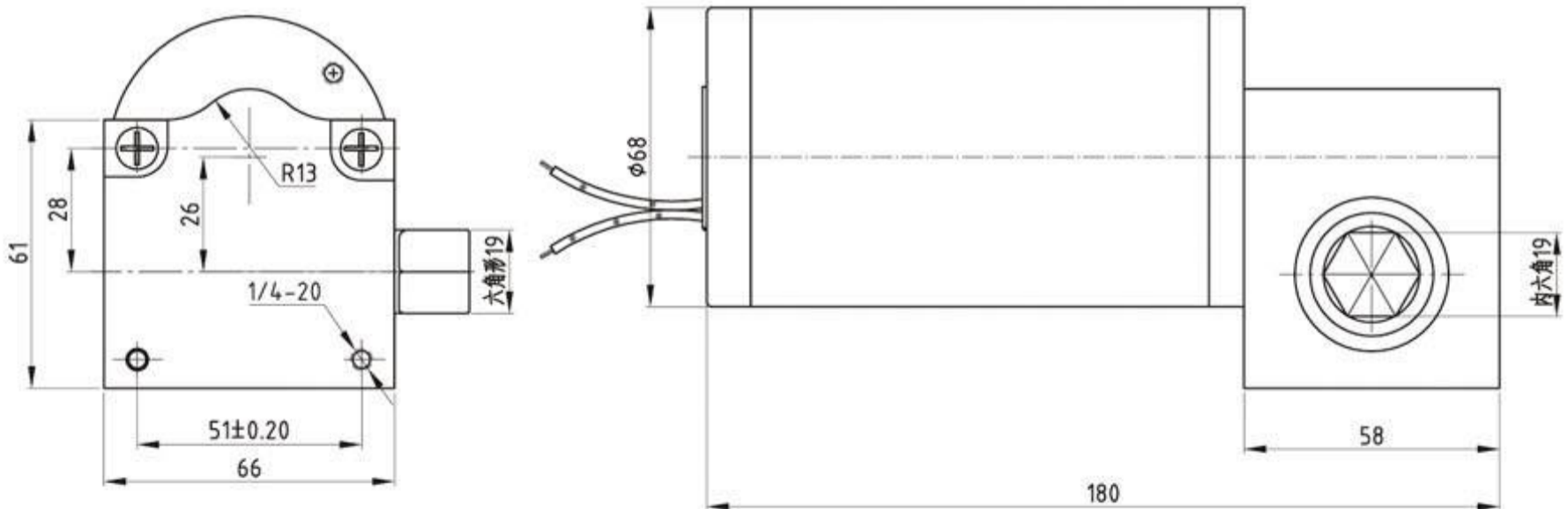
MC102C

**Application:**

Recreational Vehicle

**Major Technical Parameters**

Part No.	Rated Voltage (V)	Rated Current (A)	Rated Power (W)	Rated Speed (r/min)	Rated Torque (N.m)	Working System (1min)
MC102C	DC 12	10.8	50	200	2.39	S2 1min
MC102C	DC 12	17.8	80	180	4.25	S2 1min

**Outline Drawing**

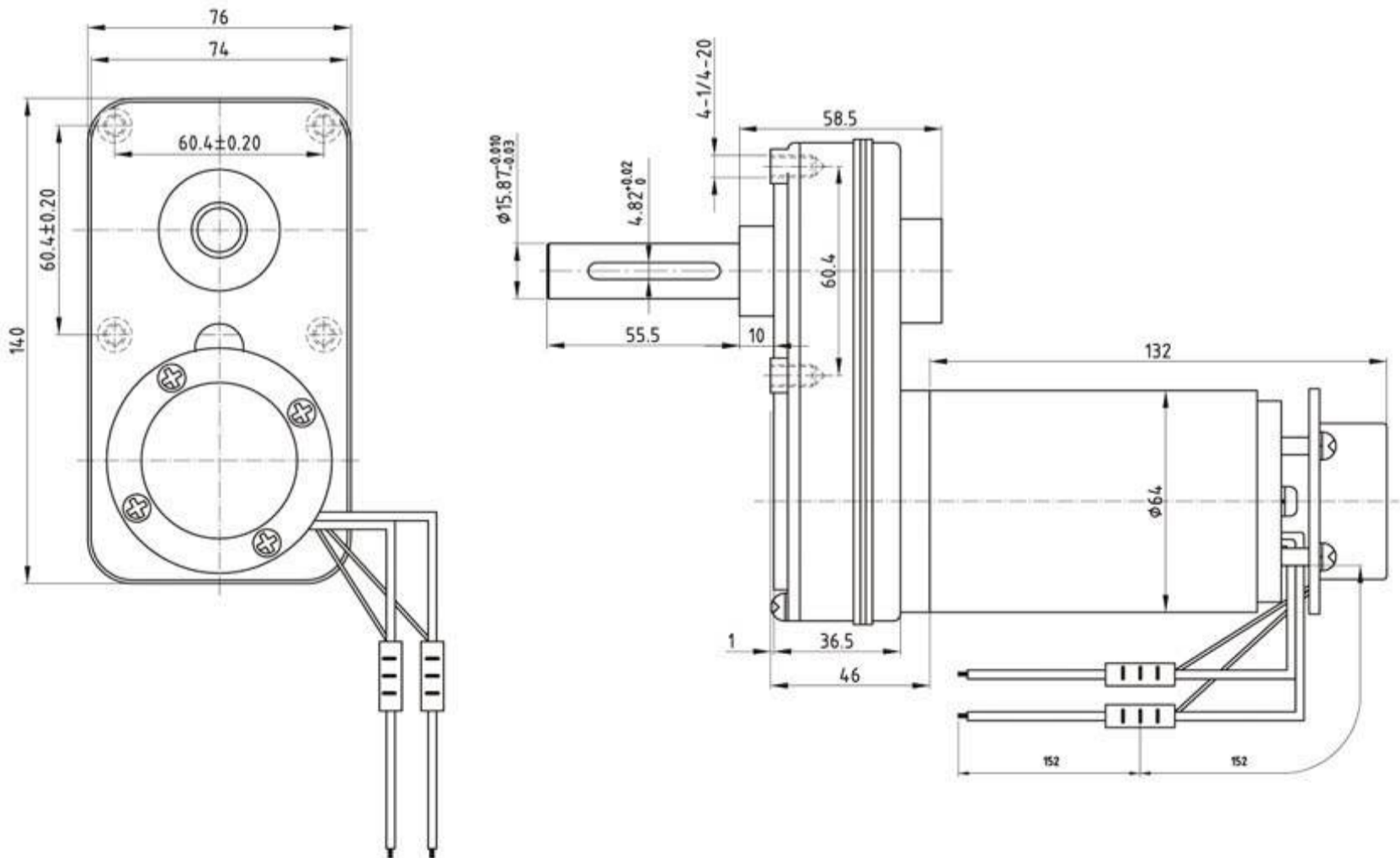
**Part No.:**  
K128500



## Major Technical Parameters

Part No.	Rated Voltage (V)	Rated Current (A)	Rated Power (W)	Rated Speed (r/min)	Rated Torque (N.m)	Working System (1min)
K128500	DC 12	7.0	50	10	47.8	S2 1min

## Outline Drawing





**Part No.:**

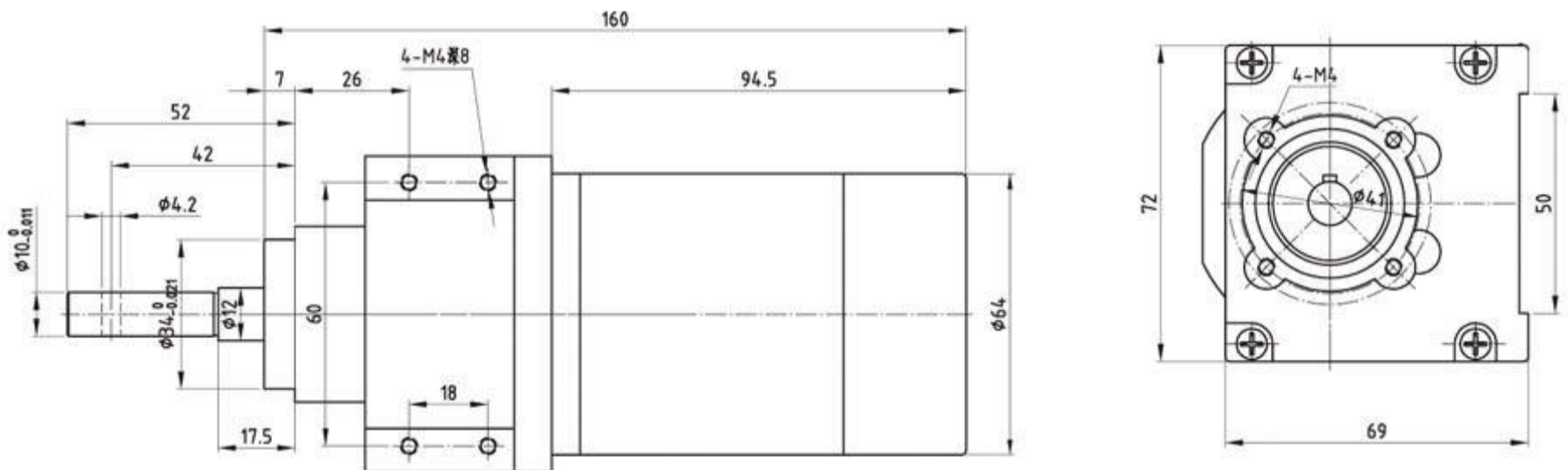
55ZY-6A

**Application:**

load switch operating device

**Major Technical Parameters**

Part No.	Rated Voltage (V)	Rated Current (A)	Rated Power (W)	Rated Speed (r/min)	Rated Torque (N.m)	Working System (1min)
55ZY-6A	DC 220	0.70	70	180	3.70	S2 1min
55ZY-6A	DC 110	1.40	70	180	3.70	S2 1min
59ZY-6A	DC 220	1.20	120	180	6.40	S2 1min
59ZY-6A	DC 110	2.40	120	180	6.40	S2 1min

**Outline Drawing**

**Part No.:**

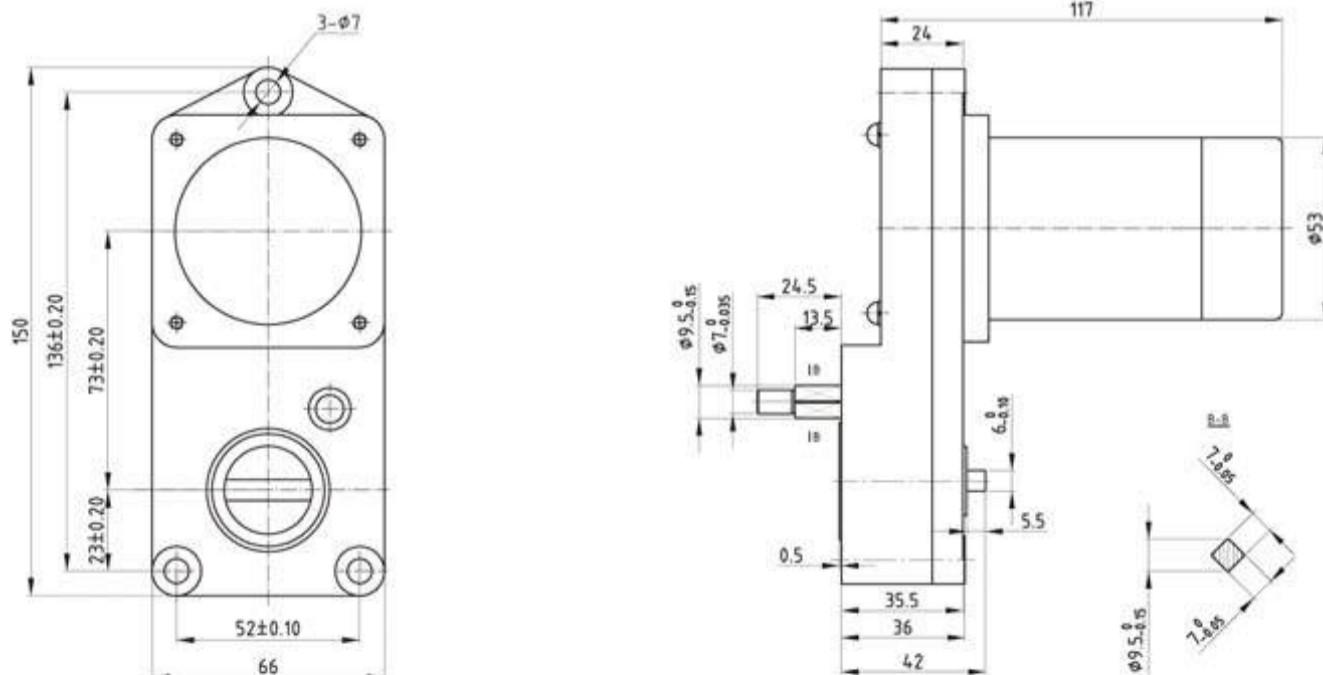
53ZY-CJ02-DN-S

**Application:**

ZW43A outdoor vacuum circuit breaker

**Major Technical Parameters**

Part No.	Rated Voltage (V)	Rated Current (A)	Rated Power (W)	Rated Speed (r/min)	Rated Torque (N.m)	Working System (1min)
53ZY-CJ02-DN-S	DC 220	0.4	40	13	29.40	S2 1min
53ZY-CJ01-DN-S	DC 110	0.8	40	13	29.40	S2 1min
53ZY-CJ004-DN-S	DC 48	1.85	40	13	29.40	S2 1min
53ZY-CJ002-DN-S	DC 24	3.70	40	13	29.40	S2 1min

**Outline Drawing**

**Part No.:**

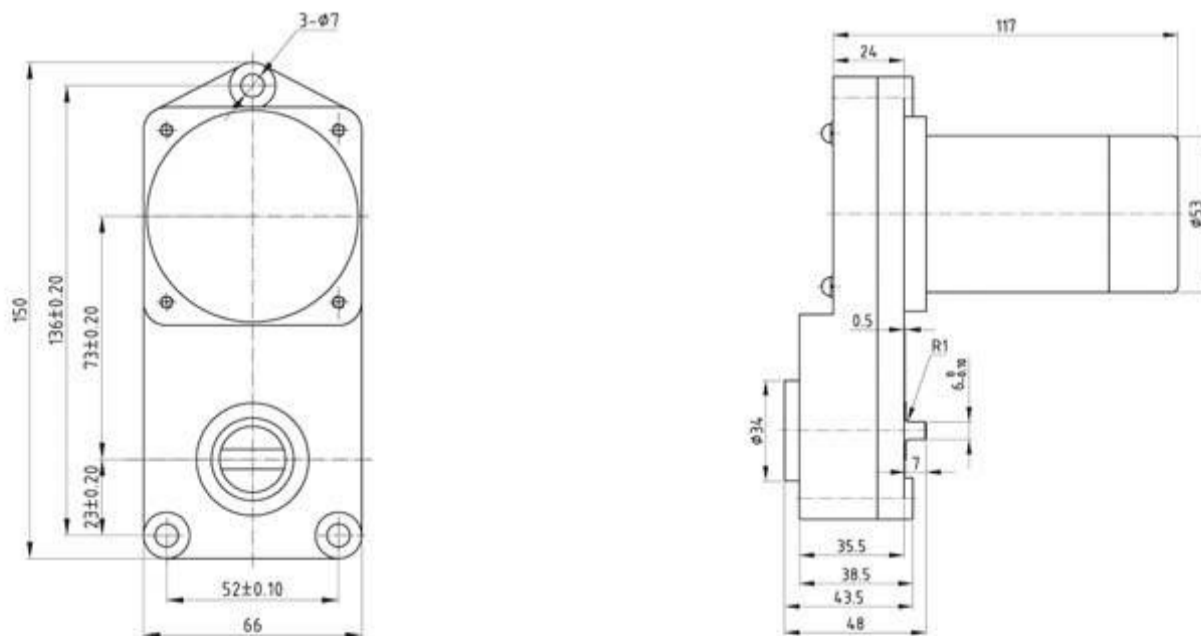
53ZY-CJ02

**Application:**

CT21 Vacuum load switch

**Major Technical Parameters**

Part No.	Rated Voltage (V)	Rated Current (A)	Rated Power (W)	Rated Speed (r/min)	Rated Torque (N.m)	Working System (1min)
53ZY-CJ02	DC 220	0.4	40	13	29.4	S2 1min
53ZY-CJ01	DC 110	0.8	40	13	29.4	S2 1min
53ZY-CJ004	DC 48	1.85	40	13	29.4	S2 1min
53ZY-CJ002	DC 24	3.70	40	13	29.4	S2 1min

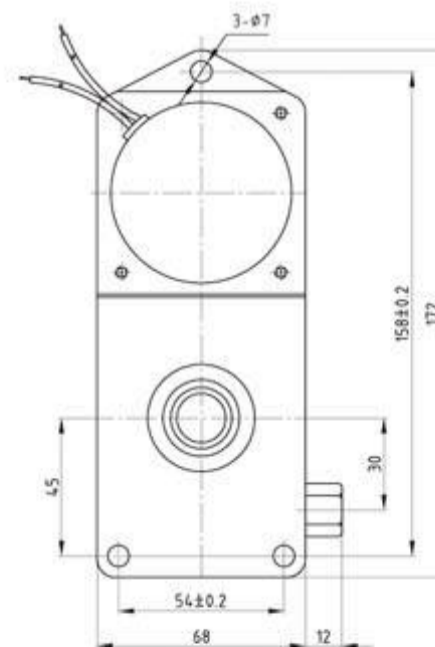
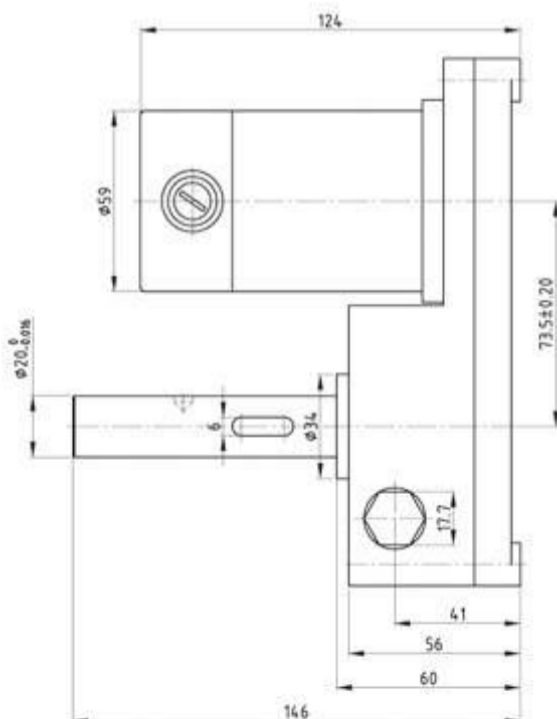
**Outline Drawing**

**Part No.:**

59ZY-CJ02-WJ-D

**Application:**
 ZN63A-12 vacuum circuit breaker  
 VS1 electrically-operated mechanism
**Major Technical Parameters**

Part No.	Rated Voltage (V)	Rated Current (A)	Rated Power (W)	Rated Speed (r/min)	Rated Torque (N.m)	Working System (1min)
59ZY-CJ02-WJ-D	DC 220	0.70	70	17	39.40	S2 1min
59ZY-CJ01-WJ-D	DC 110	1.40	70	17	39.40	S2 1min
59ZY-CJ004-WJ-D	DC 48	3.20	70	17	39.40	S2 1min
59ZY-CJ002-WJ-D	DC 24	6.40	70	17	39.40	S2 1min

**Outline Drawing**

**Part No.:**

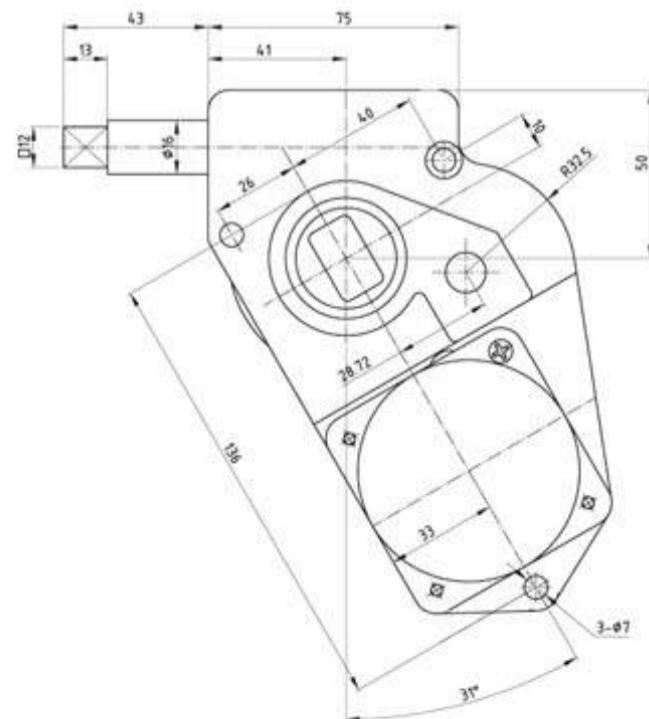
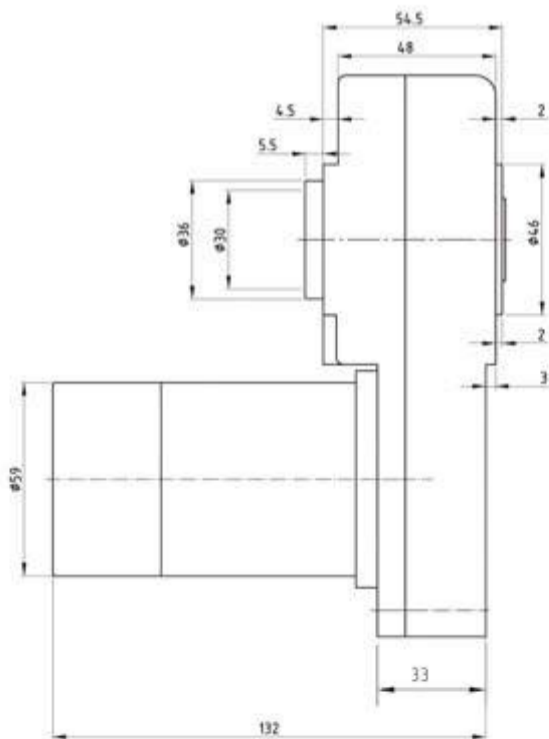
59ZY-CJ02-3

**Application:**

CT28 device

**Major Technical Parameters**

Part No.	Rated Voltage (V)	Rated Current (A)	Rated Power (W)	Rated Speed (r/min)	Rated Torque (N.m)	Working System (1min)
59ZY-CJ02-3	DC 220	0.70	70	15	44.60	S2 1min
59ZY-CJ01-3	DC 110	1.40	70	15	44.60	S2 1min
59ZY-CJ004-3	DC 48	3.20	70	15	44.60	S2 1min
59ZY-CJ002-3	DC 24	6.40	70	15	44.60	S2 1min

**Outline Drawing**

**Part No.:**

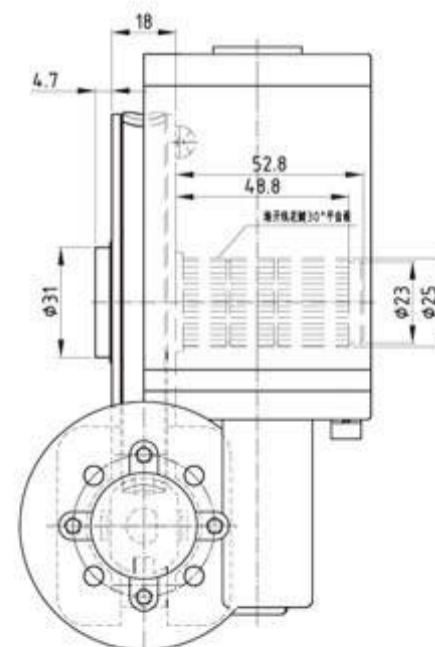
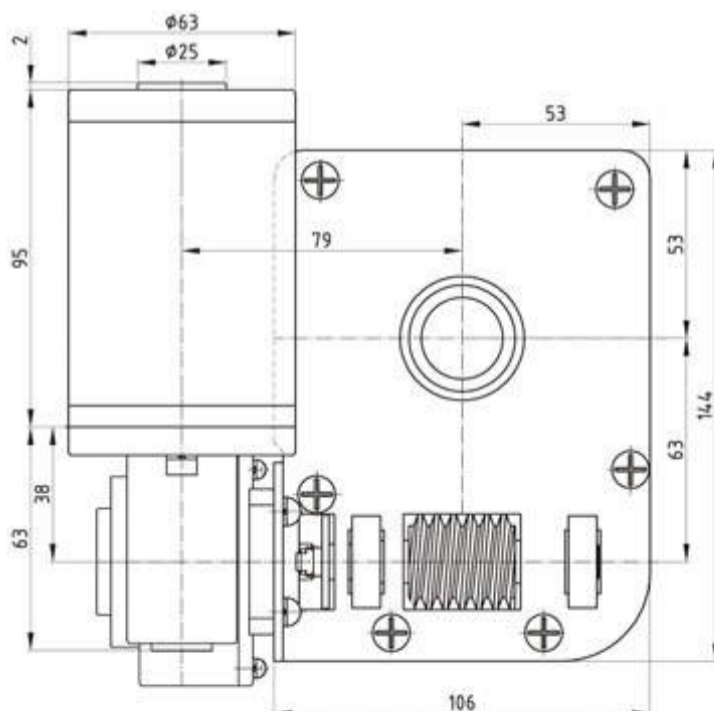
63ZY-CJ02-1

**Application:**

FLN36B-12D/T630 indoor high voltage SF6 load switch  
 XGN15-36 electrically-operated mechanism  
 SS2-QDD electrical single spring  
 SS2-DS electrical double spring

**Major Technical Parameters**

Part No.	Rated Voltage (V)	Rated Current (A)	Rated Power (W)	Rated Speed (r/min)	Rated Torque (N.m)	Working System (1min)
63ZY-CJ02-1	DC 220	0.60	65	180	3.50	S2 1min
63ZY-CJ01-1	DC 110	1.20	65	180	3.50	S2 1min
63ZY-CJ004-1	DC 48	2.80	65	180	3.50	S2 1min
63ZY-CJ002-1	DC 24	5.60	65	180	3.50	S2 1min

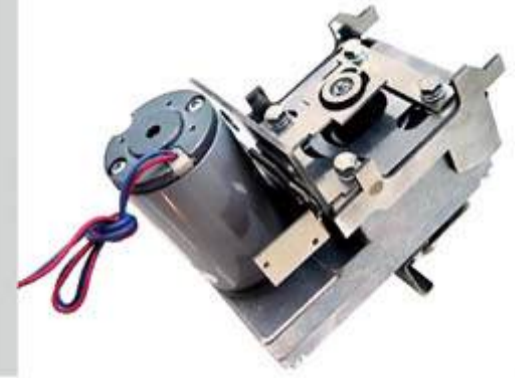
**Outline Drawing**

**Part No.:**

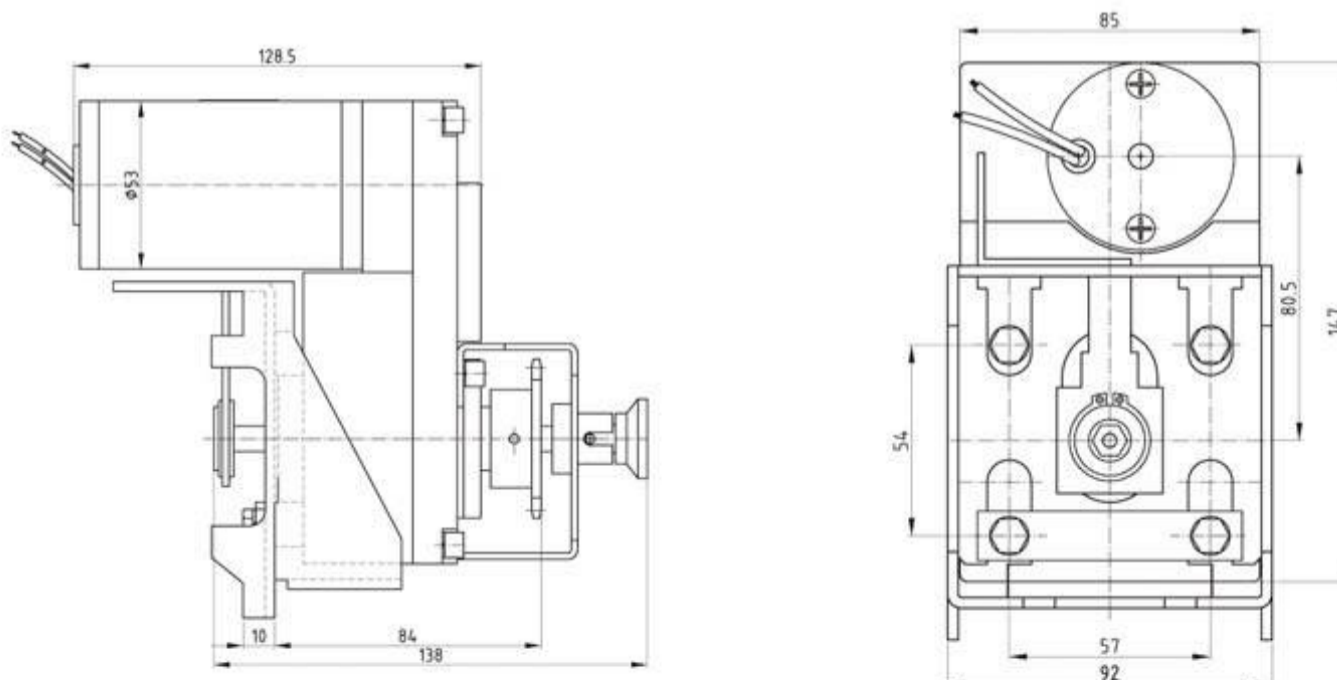
53ZY-CJ02-11

**Application:**

Dual pressure SF6 Gas-insulated RMU switch.  
It's specially used for the high speed railway projects.

**Major Technical Parameters**

Part No.	Rated Voltage (V)	Rated Current (A)	Rated Power (W)	Rated Speed (r/min)	Rated Torque (N.m)	Working System (1min)
53ZY-CJ02-11	DC 220	0.32	30	2.8	102	S2 1min
53ZY-CJ01-11	DC 110	0.64	30	2.8	102	S2 1min
53ZY-CJ004-11	DC 48	1.47	30	2.8	102	S2 1min
53ZY-CJ002-11	DC 24	2.90	30	2.8	102	S2 1min

**Outline Drawing**

**Part No.:**

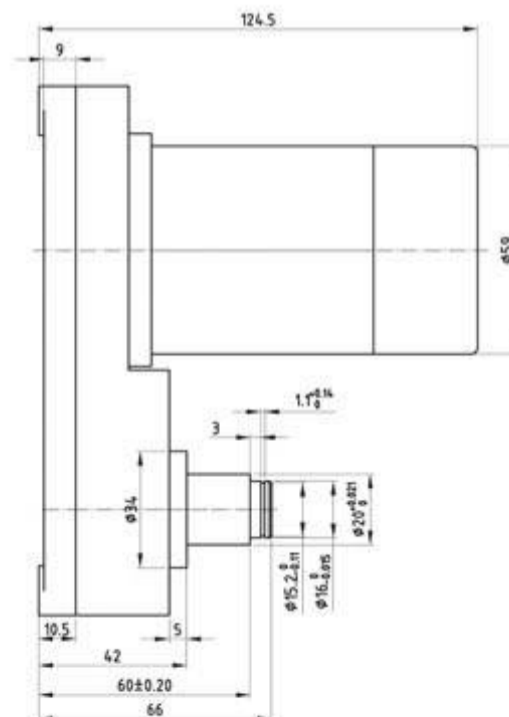
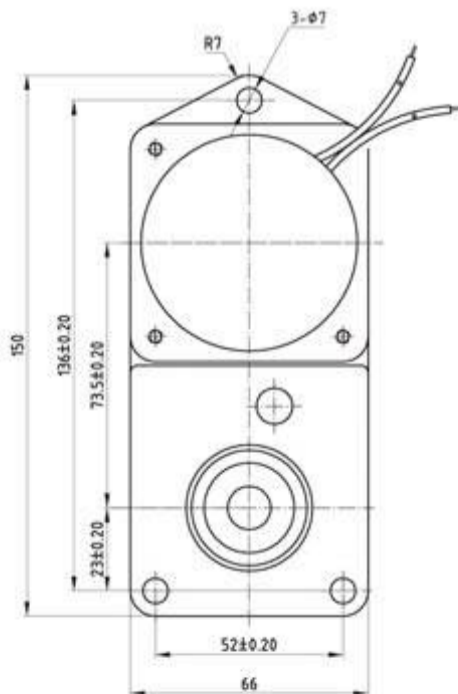
59ZY-CJ02

**Application:**

VBI vacuum circuit breaker

**Major Technical Parameters**

Part No.	Rated Voltage (V)	Rated Current (A)	Rated Power (W)	Rated Speed (r/min)	Rated Torque (N.m)	Working System (1min)
59ZY-CJ02	DC 220	0.70	70	17	39.40	S2 1min
59ZY-CJ01	DC 110	1.40	70	17	39.40	S2 1min
59ZY-CJ004	DC 48	3.20	70	17	39.40	S2 1min
59ZY-CJ002	DC 24	6.40	70	17	39.40	S2 1min

**Outline Drawing**

**Part No.:**

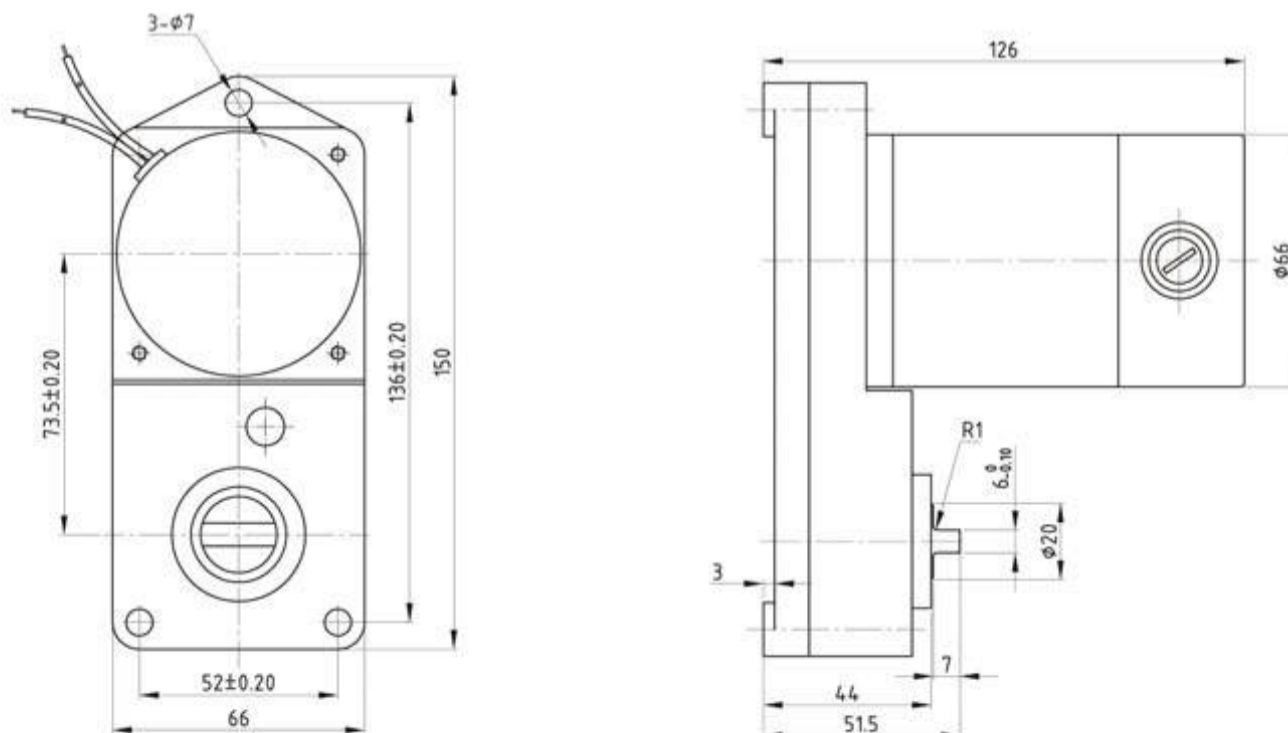
66ZY-CJ02

**Application:**

CT17 CT19 electrically-operated mechanism

**Major Technical Parameters**

Part No.	Rated Voltage (V)	Rated Current (A)	Rated Power (W)	Rated Speed (r/min)	Rated Torque (N.m)	Working System (1min)
66ZY-CJ02	DC 220	0.70	70	17	39.40	S2 1min
66ZY-CJ01	DC 110	1.40	70	17	39.40	S2 1min
66ZY-CJ004	DC 48	3.20	70	17	39.40	S2 1min
66ZY-CJ002	DC 24	6.40	70	17	39.40	S2 1min

**Outline Drawing**

**Part No.:**

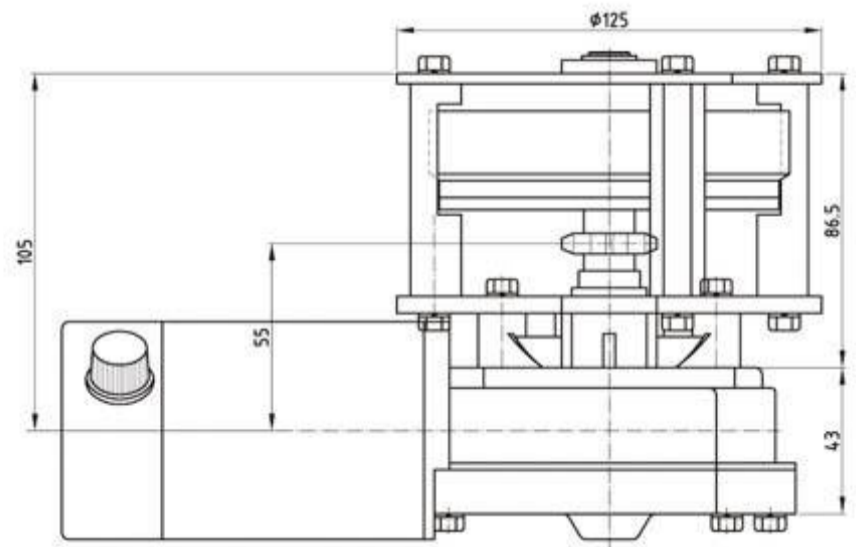
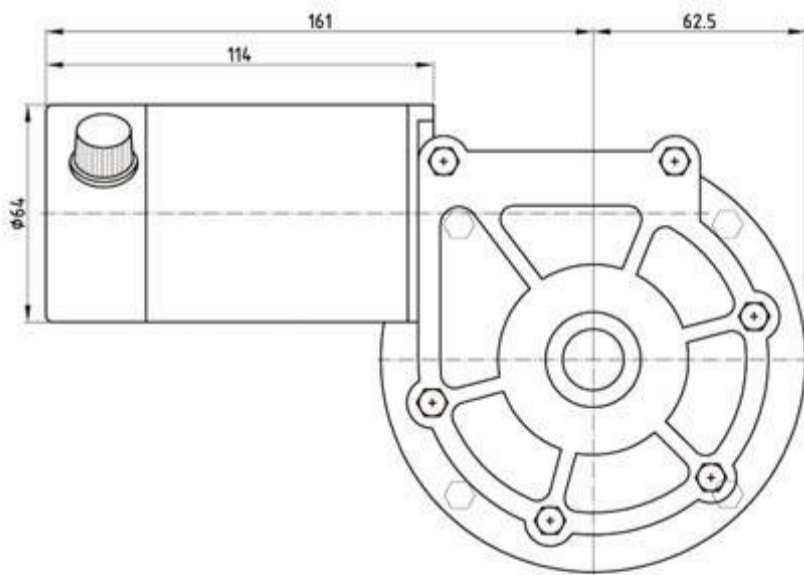
64ZY-OJT-01

**Application:**

24KV and 36KV SF6 vacuum switch

**Major Technical Parameters**

Part No.	Rated Voltage (V)	Rated Current (A)	Rated Power (W)	Rated Speed (r/min)	Rated Torque (N.m)	Working System (1min)
64ZY-OJT-01	DC 48	0.5	24	65	0	S2 1min
	DC 48	1.5	72	59	48.7	S2 1min
	DC 48	2.5	120	53	101	S2 1min
	DC 48	3.6	172.8	49	142.9	S2 1min
	DC 48	4.3	206.4	45	200	S2 1min
	DC 48	5.41	260	40	268	S2 1min
	DC 48	6.05	290	35	314	S2 1min

**Outline Drawing**

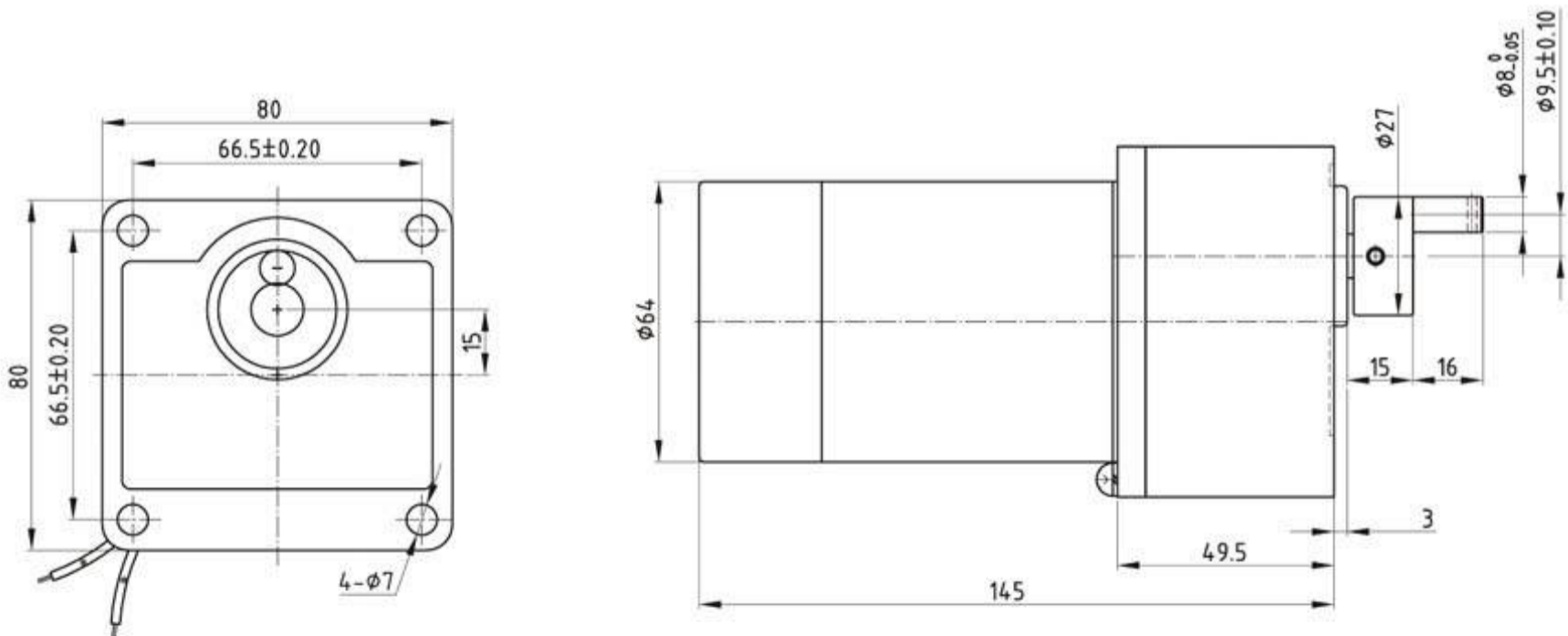
**Part No.:**  
64ZY-CJ02-8



## Major Technical Parameters

Part No.	Rated Voltage (V)	Rated Current (A)	Rated Power (W)	Rated Speed (r/min)	Rated Torque (N.m)	Working System (1min)
64ZY-CJ02-8	DC 220	0.60	60	150	3.80	S2 1min
64ZY-CJ01-8	DC 110	1.20	60	150	3.80	S2 1min
64ZY-CJ004-8	DC 48	2.80	60	150	3.80	S2 1min
64ZY-CJ002-8	DC 24	5.60	60	150	3.80	S2 1min

## Outline Drawing



**Part No.:**

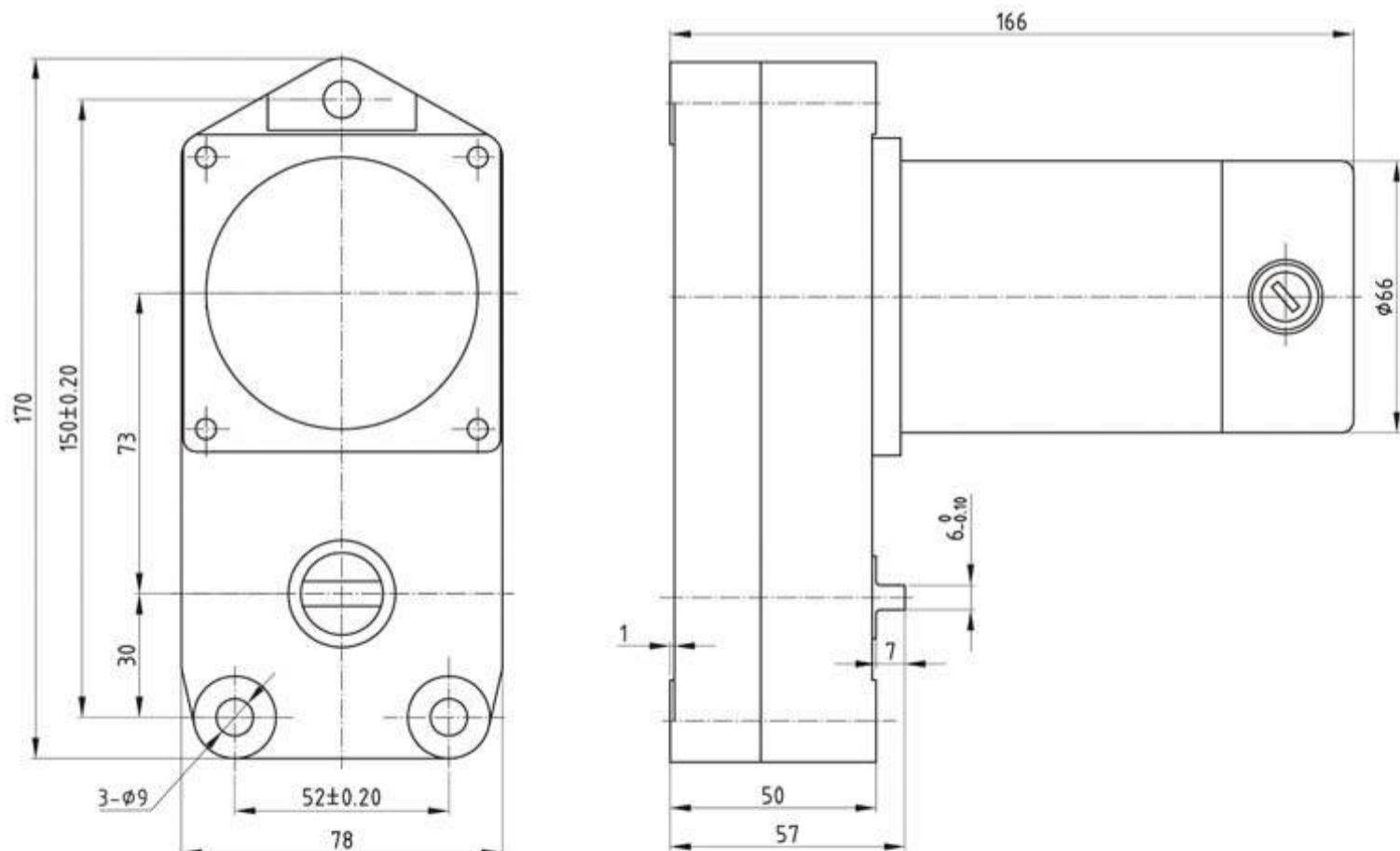
66ZY-CJ32-B

**Application:**

CT17 315 device

**Major Technical Parameters**

Part No.	Rated Voltage (V)	Rated Current (A)	Rated Power (W)	Rated Speed (r/min)	Rated Torque (N.m)	Working System (1min)
66ZY-CJ32-B	DC 220	2.00	200	17	112.50	S2 1min
66ZY-CJ31-B	DC 110	4.00	200	17	112.50	S2 1min

**Outline Drawing**

**Part No.:**

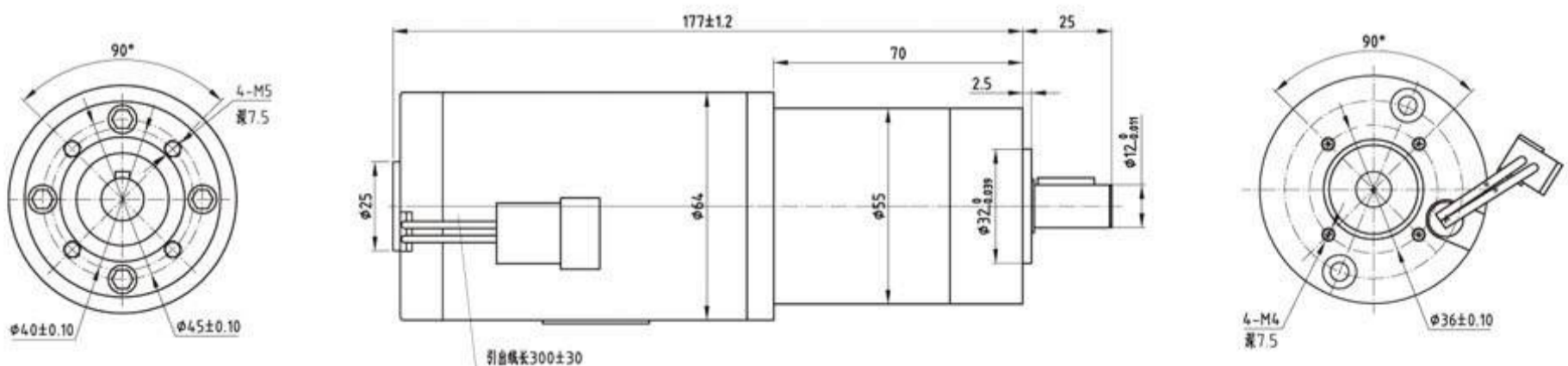
64ZY-CJ02-7C

**Application:**

C-GIS load switch

**Major Technical Parameters**

Part No.	Rated Voltage (V)	Rated Current (A)	Rated Power (W)	Rated Speed (r/min)	Rated Torque (N.m)	Working System (1min)
64ZY-CJ02-7C	DC 220	0.33	48	19.50	23.50	S2 1min
64ZY-CJ01-7C	DC 110	0.65	48	19.50	23.50	S2 1min
64ZY-CJ004-7C	DC 48	1.52	48	19.50	23.50	S2 1min
64ZY-CJ002-7C	DC 24	3.02	48	19.50	23.50	S2 1min

**Outline Drawing**

**Part No.:**

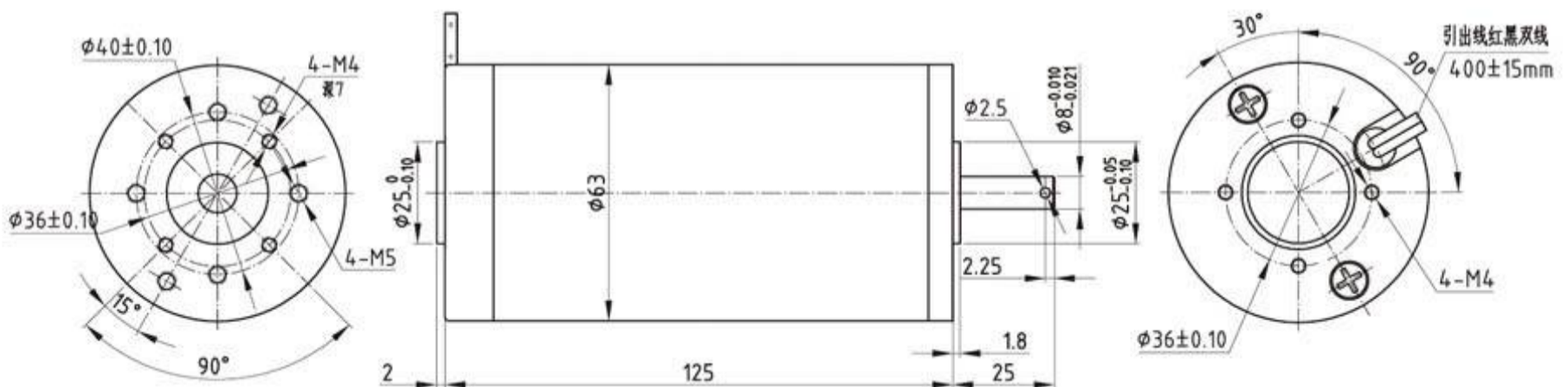
63ZY

**Application:**

SF6 load switch

**Major Technical Parameters**

Part No.	Rated Voltage (V)	Rated Current (A)	Rated Power (W)	Rated Speed (r/min)	Rated Torque (N.m)	Working System (1min)
63ZY	DC 220	0.60	90	3000±10%	0.28	S2 1min
63ZY	DC 110	1.20	90	3000±10%	0.28	S2 1min
63ZY	DC 48	2.75	90	3000±10%	0.28	S2 1min
63ZY	DC 24	5.50	90	3000±10%	0.28	S2 1min

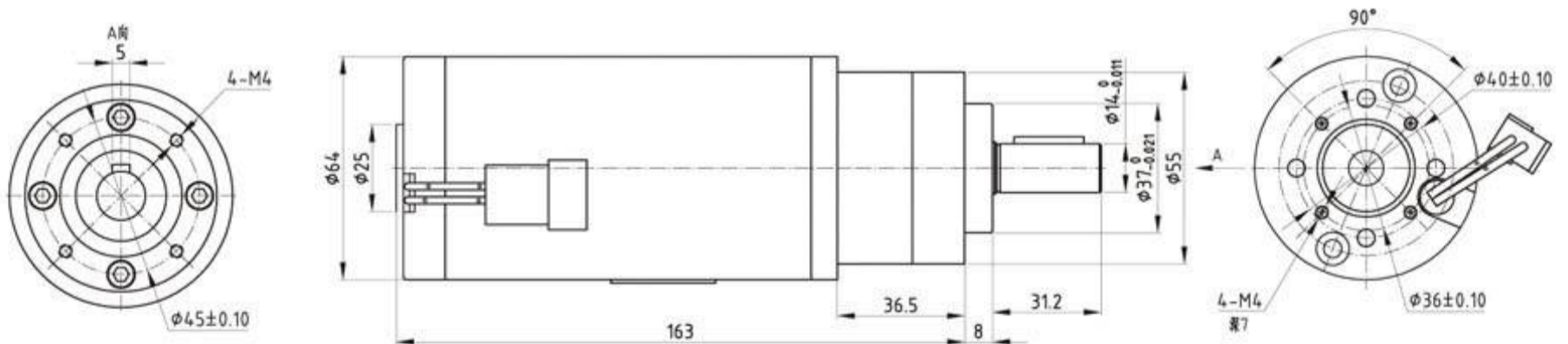
**Outline Drawing**

**Part No.:**

64ZY-CJ02-315

**Major Technical Parameters**

Part No.	Rated Voltage (V)	Rated Current (A)	Rated Power (W)	Rated Speed (r/min)	Rated Torque (N.m)	Working System (1min)
64ZY-CJ02-315	DC 220	1.00	100	315	3.20	S2 1min
64ZY-CJ02-315	DC 220	2.10	270	315	8.60	S2 1min
64ZY-CJ02-315	DC 220	2.60	350	315	11.20	S2 1min

**Outline Drawing**

**Part No.:**

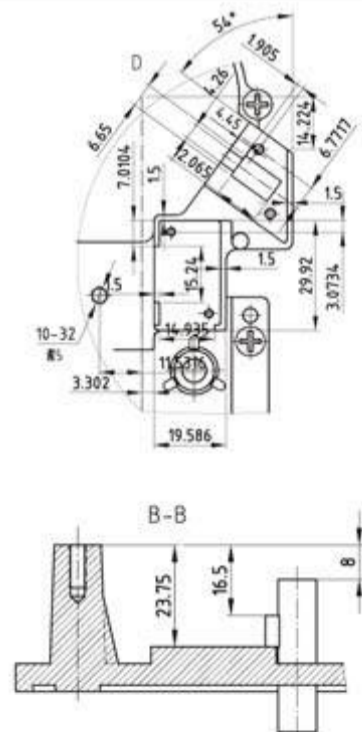
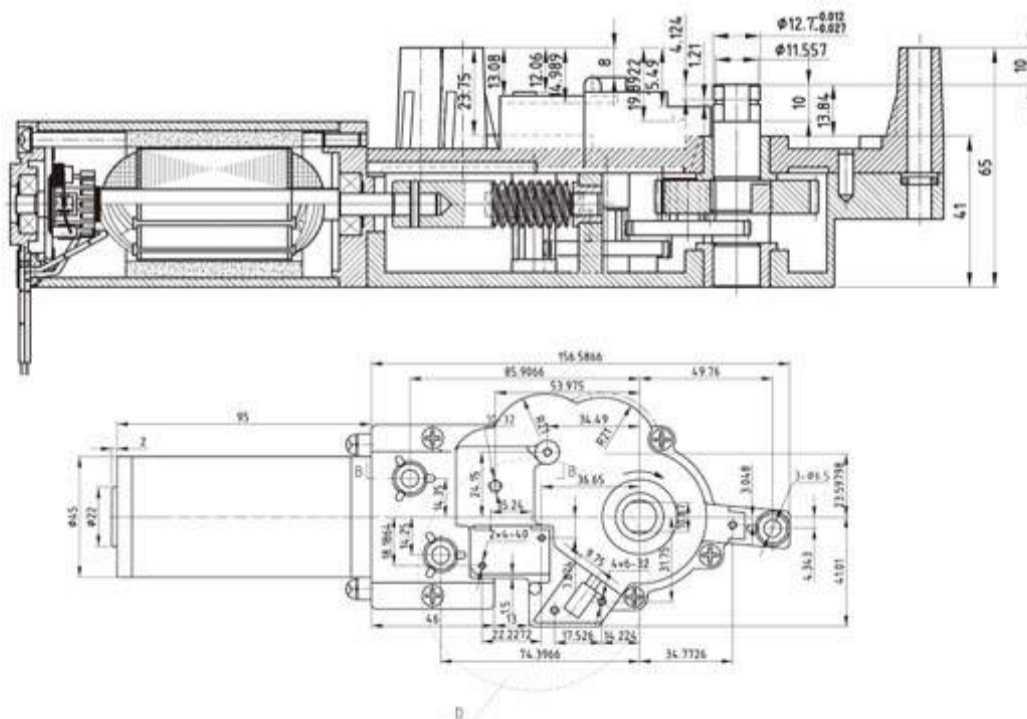
45ZY-CJ02-15



**Major Technical Parameters**

Part No.	Rated Voltage (V)	Rated Current (A)	Rated Power (W)	Rated Speed (r/min)	Rated Torque (N.m)	Working System (1min)
45ZY-CJ02-15	DC 220	0.30	43	12	34.20	S2 1min
45ZY-CJ01-15	DC 110	0.60	43	12	34.20	S2 1min
45ZY-CJ004-15	DC 48	1.375	43	12	34.20	S2 1min
45ZY-CJ002-15	DC 24	2.73	43	12	34.20	S2 1min

**Outline Drawing**

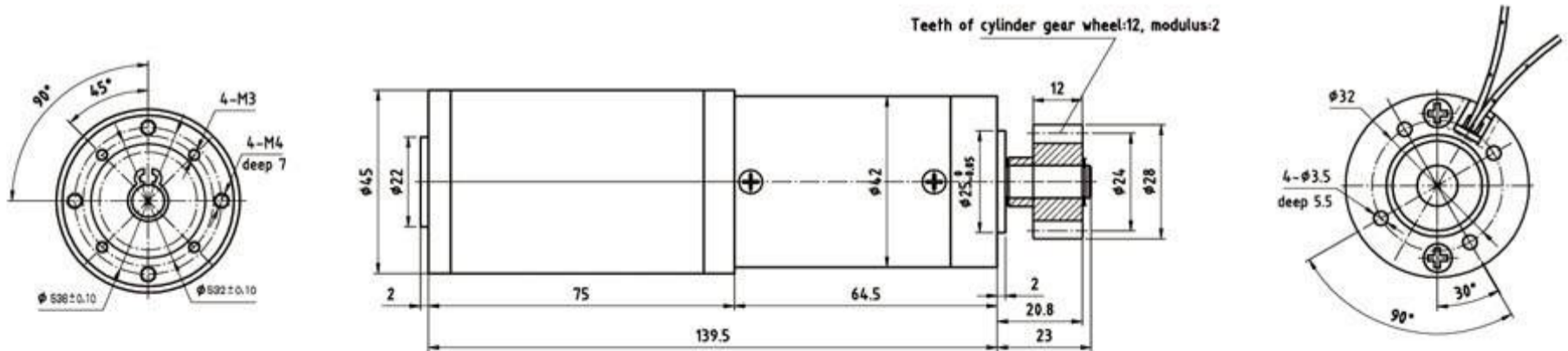


**Part No.:**

45ZY-CJ02-18

**Major Technical Parameters**

Part No.	Rated Voltage (V)	Rated Current (A)	Rated Power (W)	Rated Speed (r/min)	Rated Torque (N.m)	Working System (1min)
45ZY-CJ02-18	DC 220	0.2	26	18	13.80	S2 1min
45ZY-CJ01-18	DC 110	0.4	26	18	13.80	S2 1min
45ZY-CJ006-18	DC 60	0.73	26	18	13.80	S2 1min
45ZY-CJ004-18	DC 48	0.92	26	18	13.80	S2 1min
45ZY-CJ002-18	DC 24	1.85	26	18	13.80	S2 1min

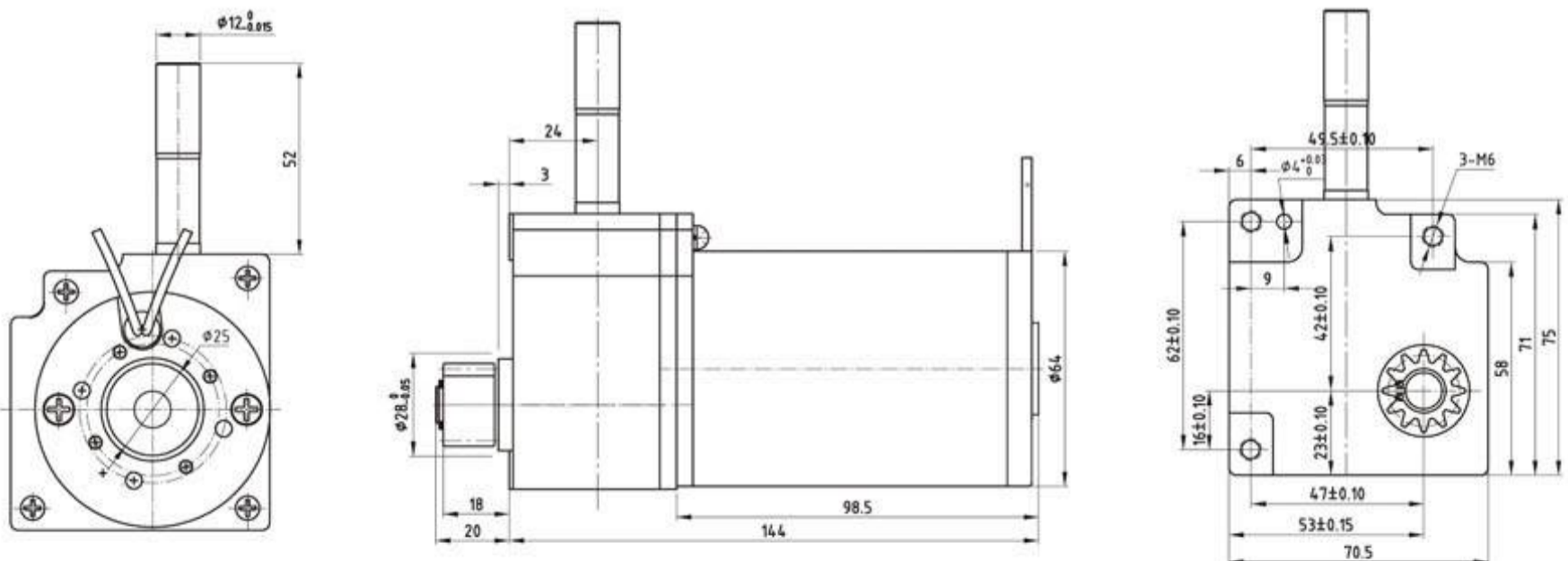
**Outline Drawing**

**Part No.:**

64ZY-CJ02-6

**Major Technical Parameters**

Part No.	Rated Voltage (V)	Rated Current (A)	Rated Power (W)	Rated Speed (r/min)	Working duty (1min)
64ZY-CJ02-6	DC 220	0.8	90	155	S2 1min
64ZY-CJ01-6	DC 110	1.6	90	155	S2 1min
64ZY-CJ006-6	DC 60	2.8	90	155	S2 1min
64ZY-CJ004-6	DC 48	3.6	90	155	S2 1min
64ZY-CJ002-6	DC 24	7.2	90	155	S2 1min

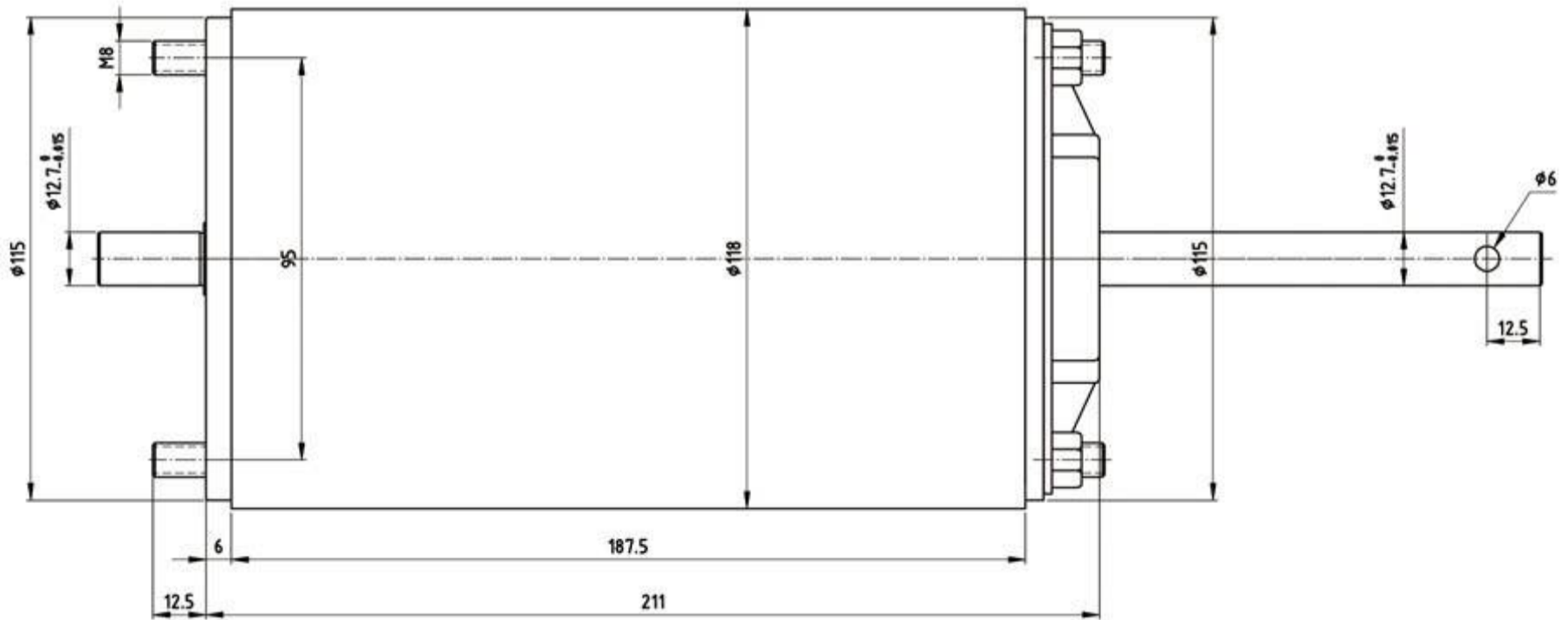
**Outline Drawing**

**Part No.:**

118ZY-002

**Major Technical Parameters**

Part No.	Rated Voltage (V)	Rated Current (A)	Rated Power (W)	Rated Speed (r/min)	Working duty (1min)
118ZY-002	DC 24	28	245	3450	S2 1min

**Outline Drawing**

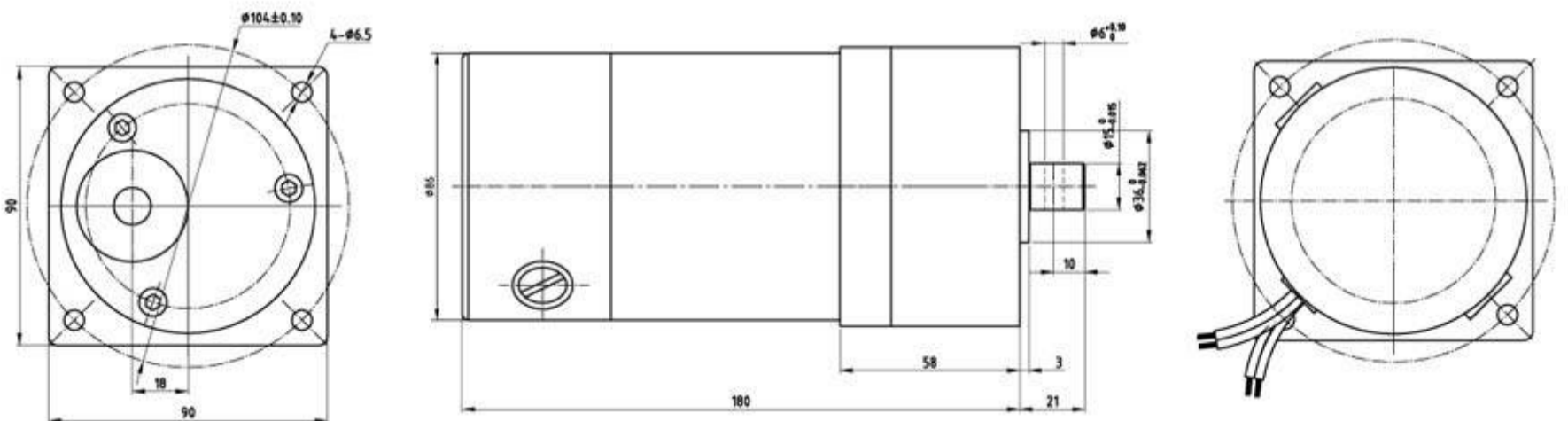
**Part No.:**  
HDZ-26001C



## Major Technical Parameters

Part No.	Rated Voltage (V)	Rated power (W)	Rated speed (r/min)	Reduction ratio	Working duty (1min)
HDZ-26001C	AC/DC 220	600	140	50:1	S2 1min
HDZ-26005C	AC/DC 220	600	460	15:1	S2 1min
HDZ-16001C	AC/DC 110	600	460	15:1	S2 1min
86ZY-CJ42	DC 220	400	200	20:1	S2 1min
86ZY-CJ42	DC 220	400	1000	4:1	S2 1min
86ZY-CJ41	DC 110	400	200	20:1	S2 1min
86ZY-CJ41	DC 110	400	1000	4:1	S2 1min

## Outline Drawing



**Part No.:**

XBY-J

**Application:**

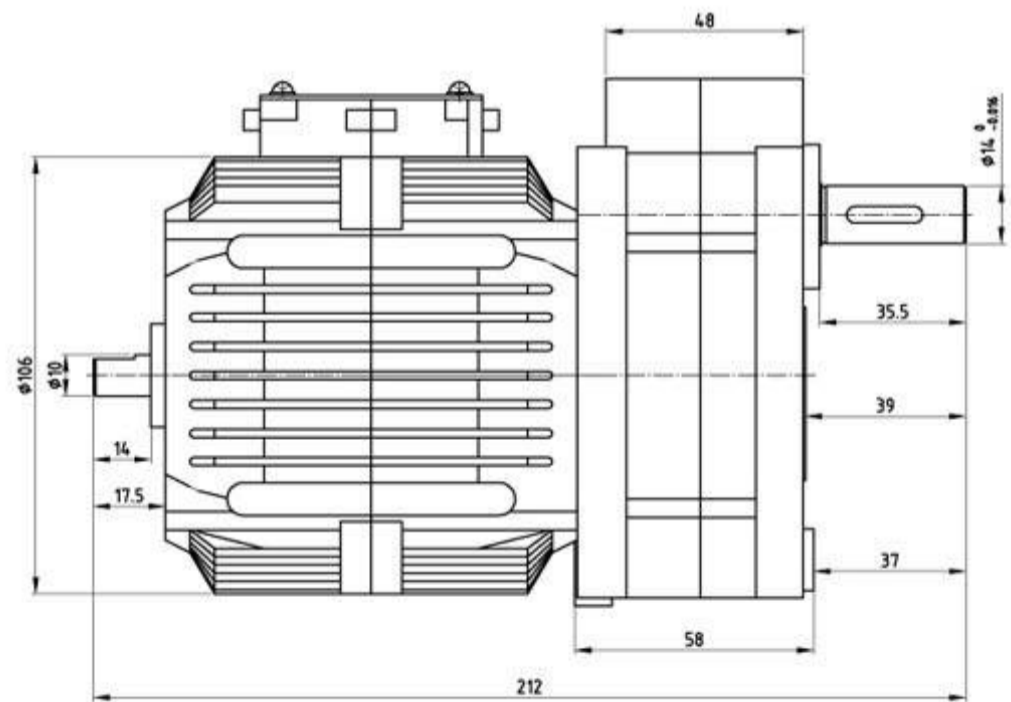
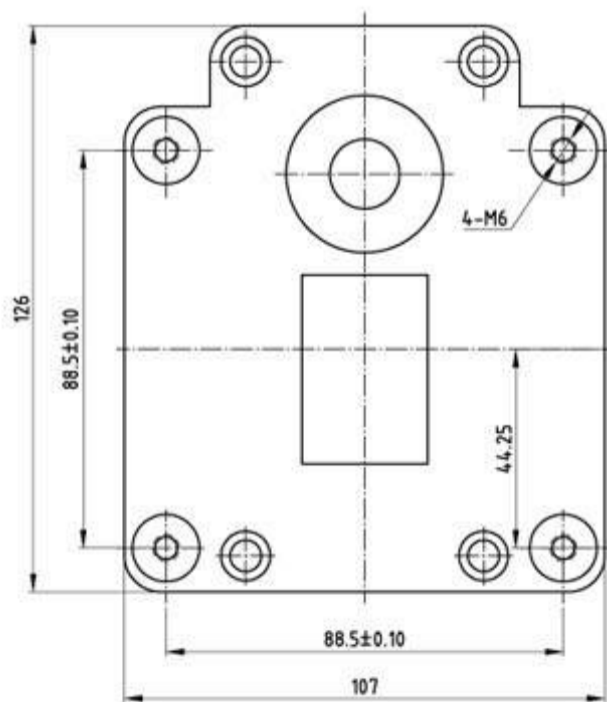
CML , CMP-F circuit breaker



**Major Technical Parameters**

Part No.	Rated Voltage (V)	Rated Current (A)	Rated Power (W)	Rated Speed (r/min)	Rated Torque (N.m)	Working System (1min)
XBY-J	AC 220	1.2	150	8	179.3	S2 1min

**Outline Drawing**



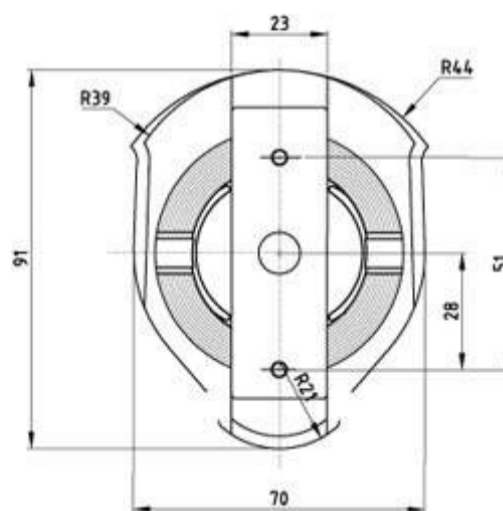
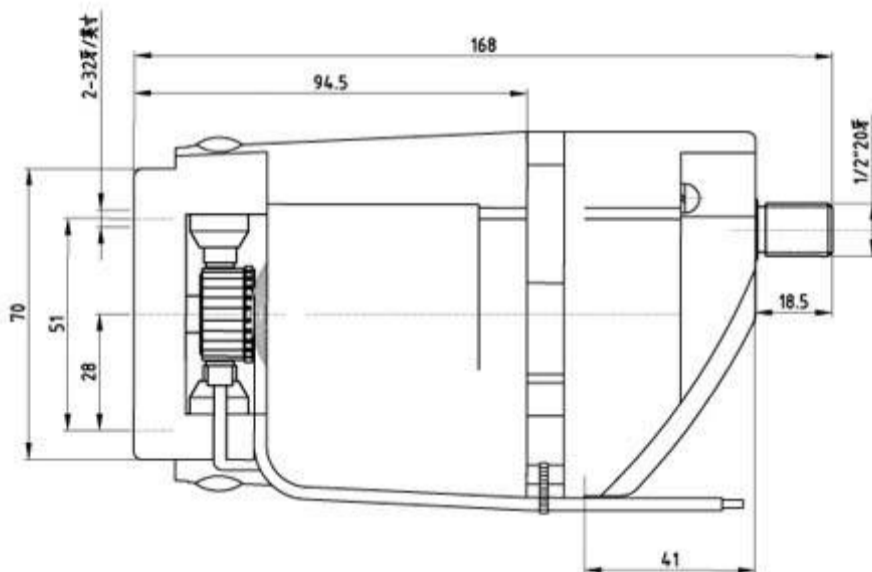
**Part No.:**  
HDZ-10805B



## Major Technical Parameters

Part No.	Rated Voltage (V)	Rated Current (A)	Rated Power (W)	Rated Speed (r/min)	Rated Torque (N.m)	Working System (1min)
HDZ -10805B	AC/DC 110	3.00	80	500	1.53	S2 1min
HDZ -20805B	AC/DC 220	1.50	80	500	1.53	S2 1min
HDZ -00805B	AC/DC 48	6.88	80	500	1.53	S2 1min
HDZ -00805B	AC/DC 24	13.80	80	500	1.53	S2 1min

## Outline Drawing



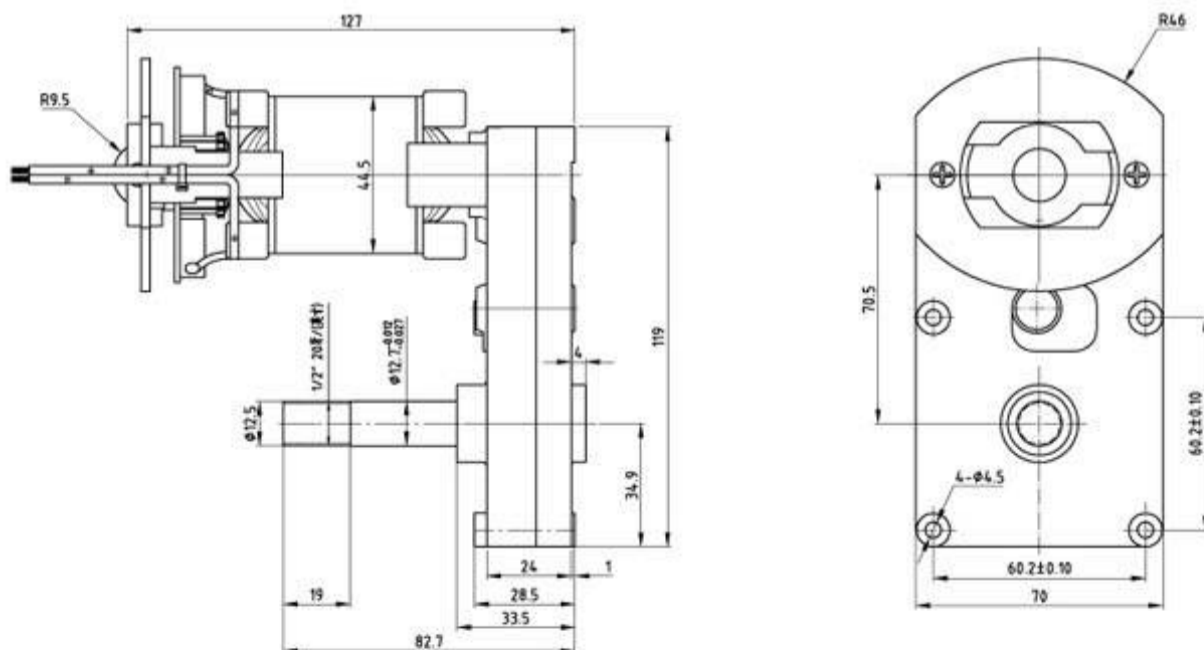
**Part No.:**  
HDZ-20801B



## Major Technical Parameters

Part No.	Rated Voltage (V)	Rated Current (A)	Rated Power (W)	Rated Speed (r/min)	Rated Torque (N.m)	Working System (1min)
HDZ -10801B	AC/DC 110	1.60	80	140	5.40	S2 1min
HDZ -20801B	AC/DC 220	0.80	80	140	5.40	S2 1min
HDZ -00801B	AC/DC 24	7.40	80	140	5.40	S2 1min
HDZ -00801B	AC/DC 48	3.70	80	140	5.40	S2 1min

## Outline Drawing



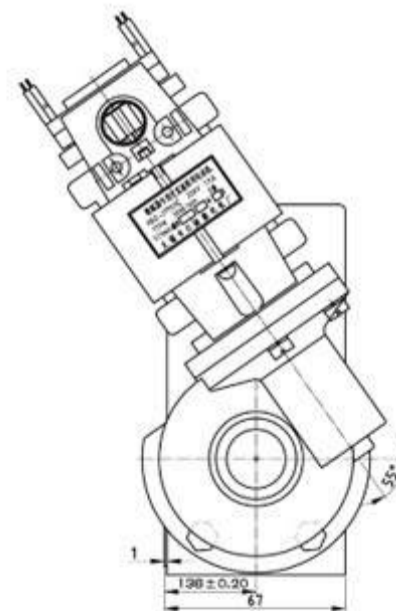
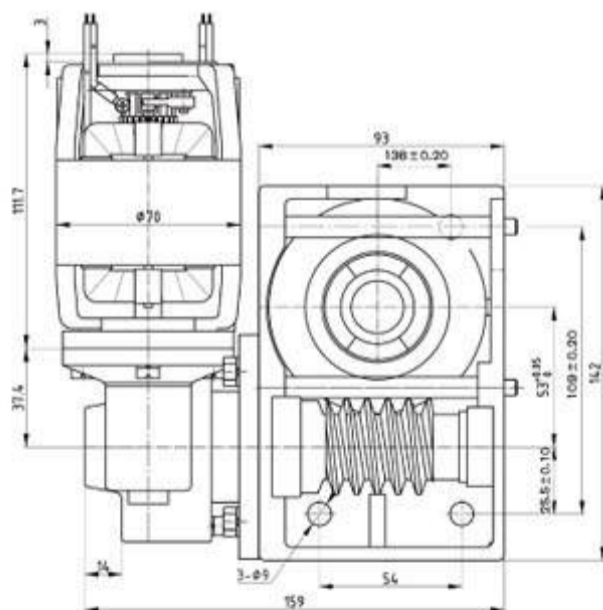
**Part No.:**  
HDZ-21703C



## Major Technical Parameters

Part No.	Rated Voltage (V)	Rated Current (A)	Rated Power (W)	Rated Speed (r/min)	Rated Torque (N.m)	Working System (1min)
HDZ -21703C	AC/DC 220	1.5	170	300	5.4	S2 1min
HDZ -11703C	AC/DC 110	3	170	300	5.4	S2 1min
HDZ -22503C	AC/DC 220	2.2	250	300	8	S2 1min
HDZ -12503C	AC/DC 110	4.4	250	300	8	S2 1min

## Outline Drawing



## Part No.:

HDZ-20801A with manual gearbox  
64ZY-CJ02 with manual gearbox

## Application:

VS1 Vacuum circuit breaker



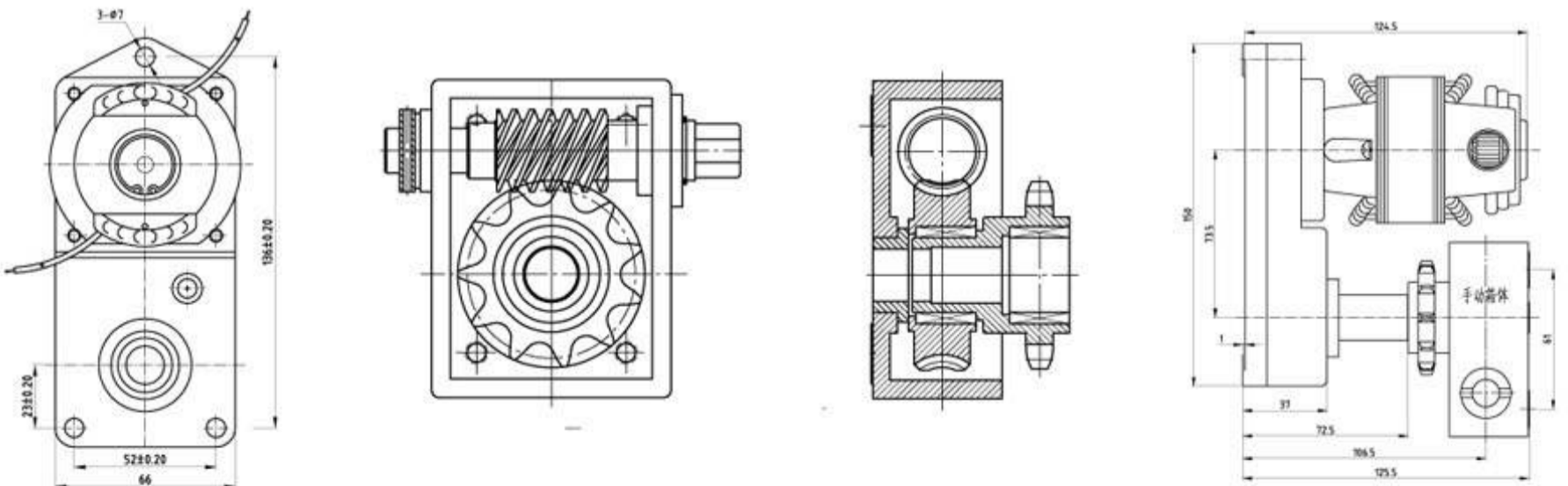
## Major Technical Parameters

Part No.	Rated Voltage (V)	Rated Current (A)	Rated Power (W)	Rated Speed (r/min)	Rated Torque (N.m)	Working System (1min)
HDZ-20801A	AC/DC 220	0.9	80	25	30.60	S2 1min
HDZ-10801A	AC/DC 110	1.8	80	25	30.60	S2 1min
HDZ-70-30B	AC/DC 220	0.7	65	25	24.90	S2 1min

Part No.	Rated Voltage (V)	Rated Current (A)	Rated Power (W)	Rated Speed (r/min)	Rated Torque (N.m)	Working System (1min)
64ZY-CJ02	DC 220	0.70	70	17	39.40	S2 1min
64ZY-CJ01	DC 110	1.40	70	17	39.40	S2 1min
64ZY-CJ004	DC 48	3.20	70	17	39.40	S2 1min
64ZY-CJ002	DC 24	6.40	70	17	39.40	S2 1min

## Outline Drawing



## Part No.:

HDZ-12506A

## Application:

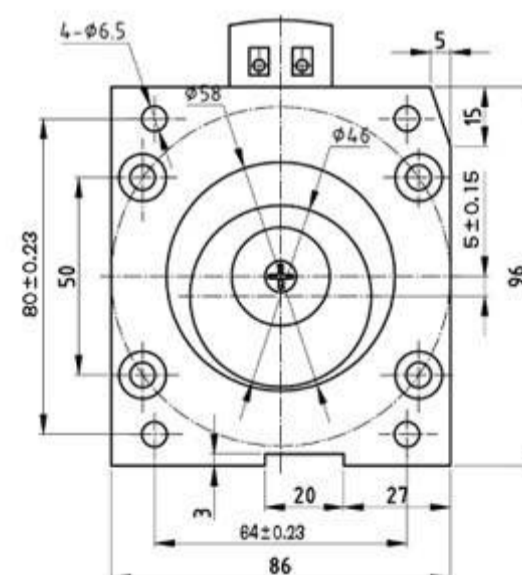
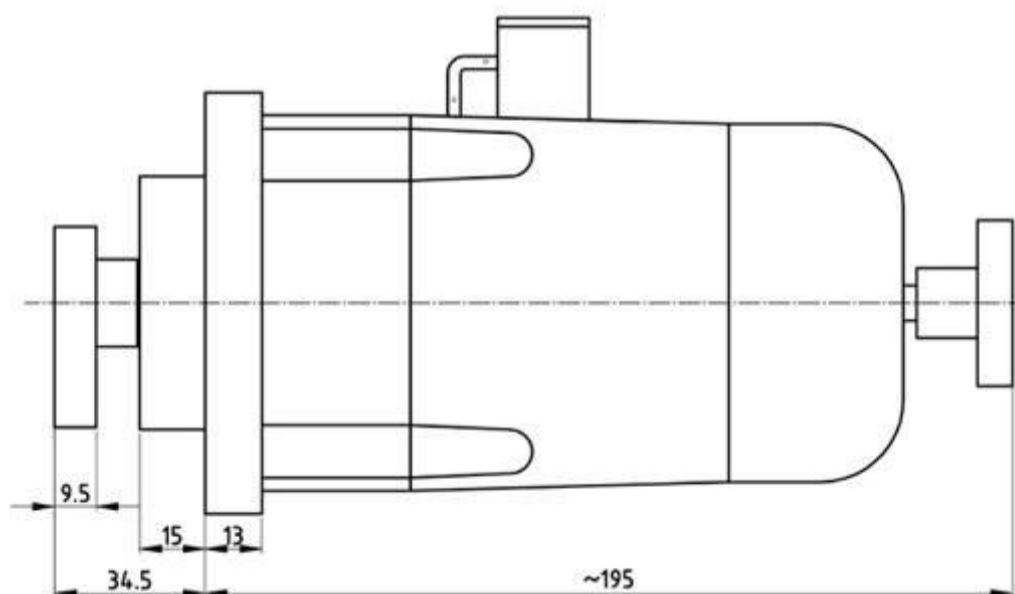
Vacuum circuit break for coal mine



## Major Technical Parameters

Part No.	Rated Voltage (V)	Rated Current (A)	Rated Power (W)	Rated Speed (r/min)	Rated Torque (N.m)	Working System (1min)
HDZ-22506A	AC/DC 220	2.1	250	600	4	S2 1min
HDZ-12506A	AC/DC 127	3.5	250	600	4	S2 1min
HDZ-12506A	AC/DC 100	3.7	250	600	4	S2 1min

## Outline Drawing



## Part No.:

HDZ-22003A

## Application:

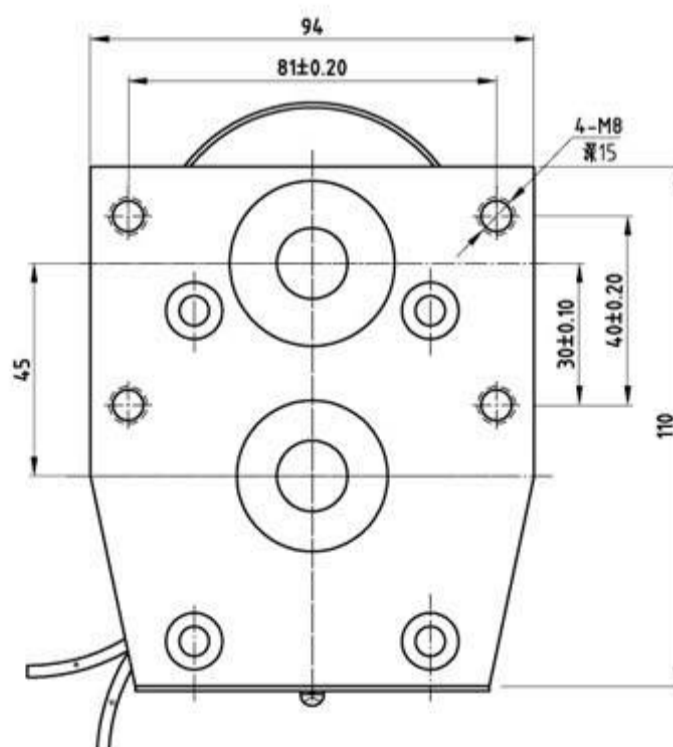
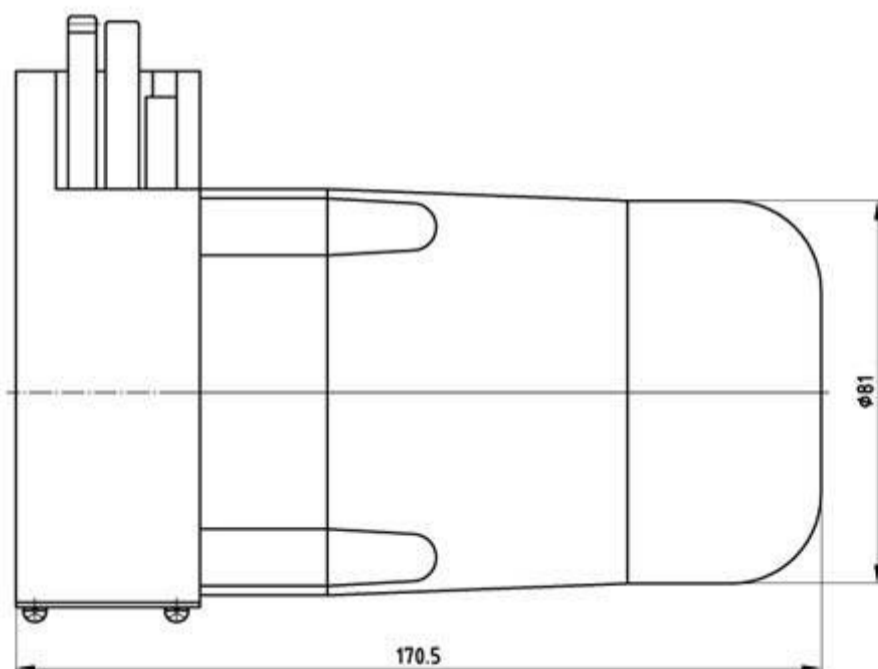
outdoor post-mounted vacuum circuit breaker



## Major Technical Parameters

Part No.	Rated Voltage (V)	Rated Current (A)	Rated Power (W)	Rated Speed (r/min)	Rated Torque (N.m)	Working System (1min)
HDZ-22003A	AC220	1.59	200	300	6.40	S2 1min
HDZ-12003A	AC110V	3.18	200	300	6.40	S2 1min
HDZ-02003A	AC48V	7.40	200	300	6.40	S2 1min

## Outline Drawing



## Part No.:

HDZ-26005A

## Application:

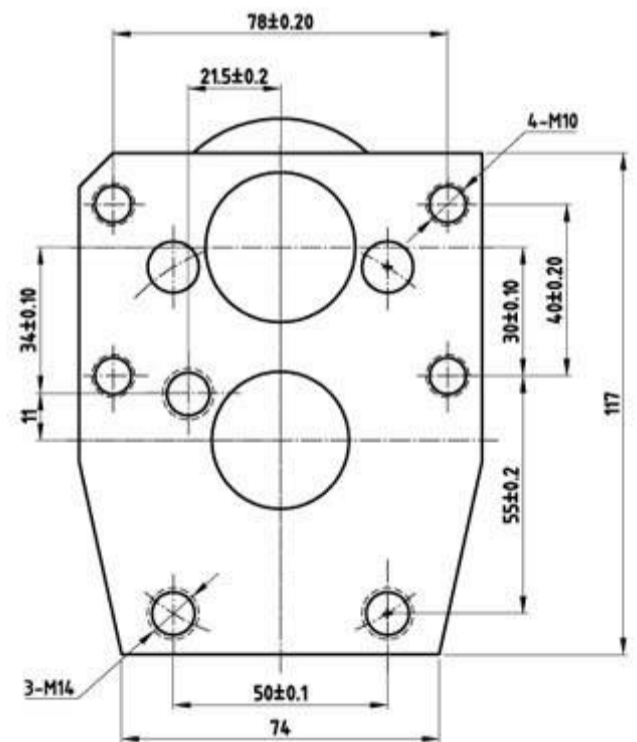
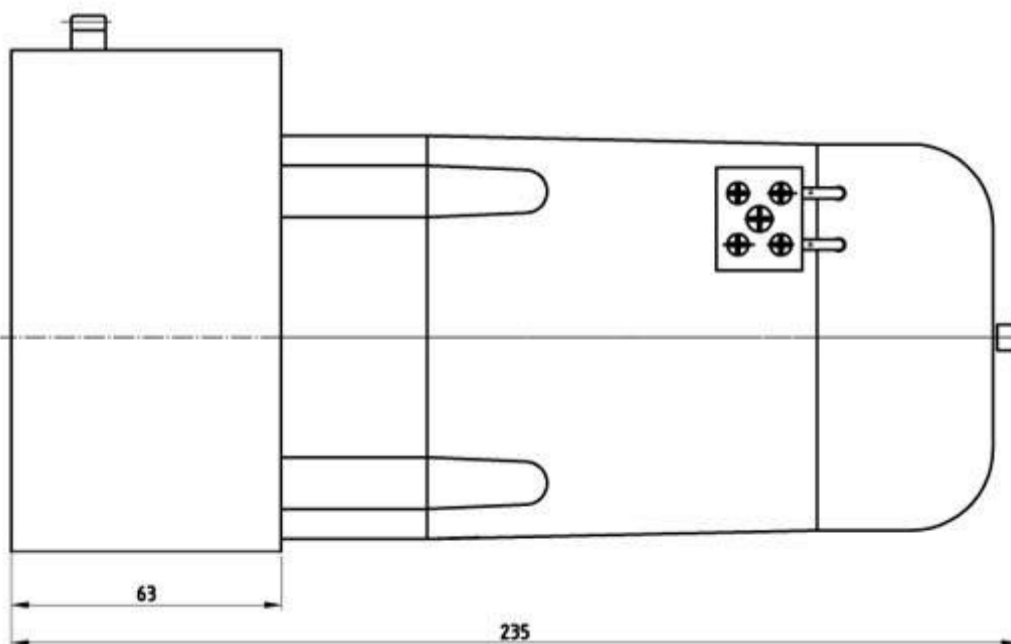
CT10 operating device



## Major Technical Parameters

Part No.	Rated Voltage (V)	Rated Current (A)	Rated Power (W)	Rated Speed (r/min)	Rated Torque (N.m)	Working System (1min)
HDZ-26005A	AC/DC 220	5.0	600	530	10.80	S2 1min
HDZ-16005A	AC/DC 110	10	600	530	10.80	S2 1min

## Outline Drawing



## Part No.:

HDZ-26005A-1

## Application:

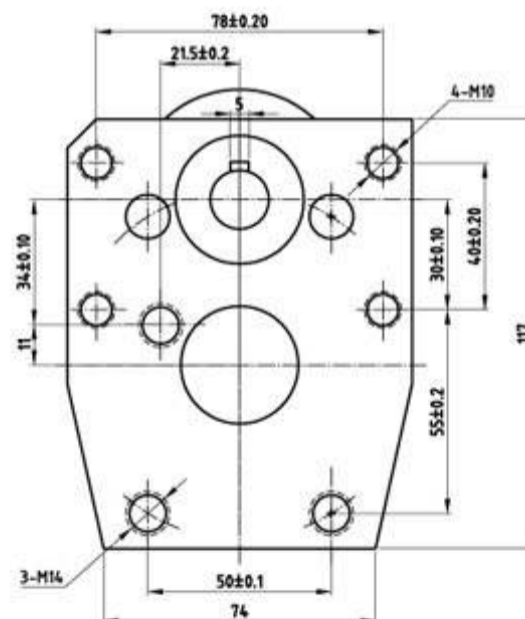
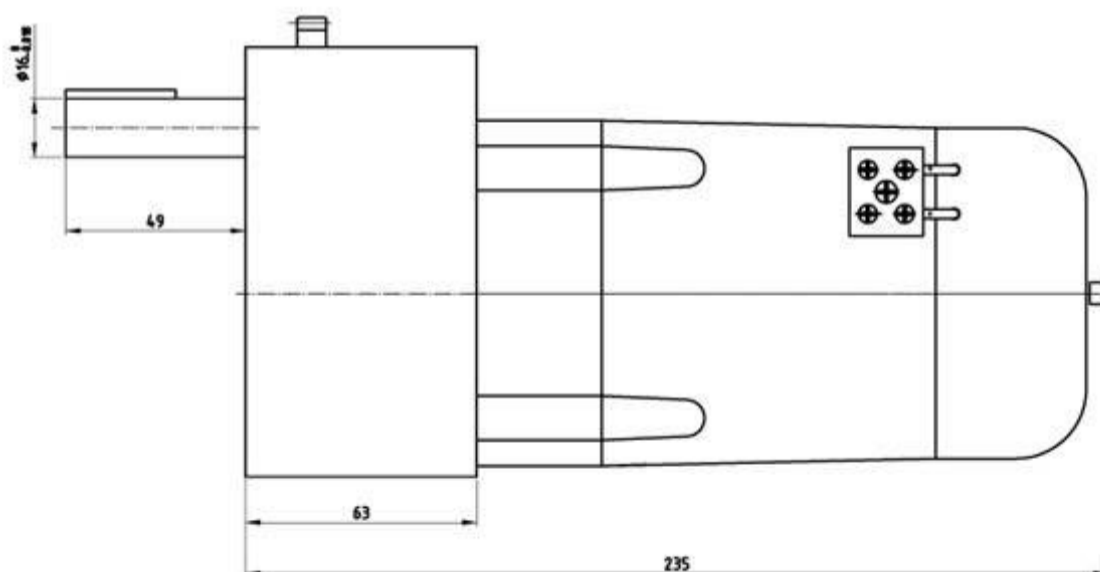
SF6 CT26 or CT30 operating device



## Major Technical Parameters

Part No.	Rated Voltage (V)	Rated Current (A)	Rated Power (W)	Rated Speed (r/min)	Rated Torque (N.m)	Working System (1min)
HDZ -26005A -1	AC/DC 220	5.0	600	530	10.80	S2 1min
HDZ -16005A -1	AC/DC 110	10	600	530	10.80	S2 1min

## Outline Drawing



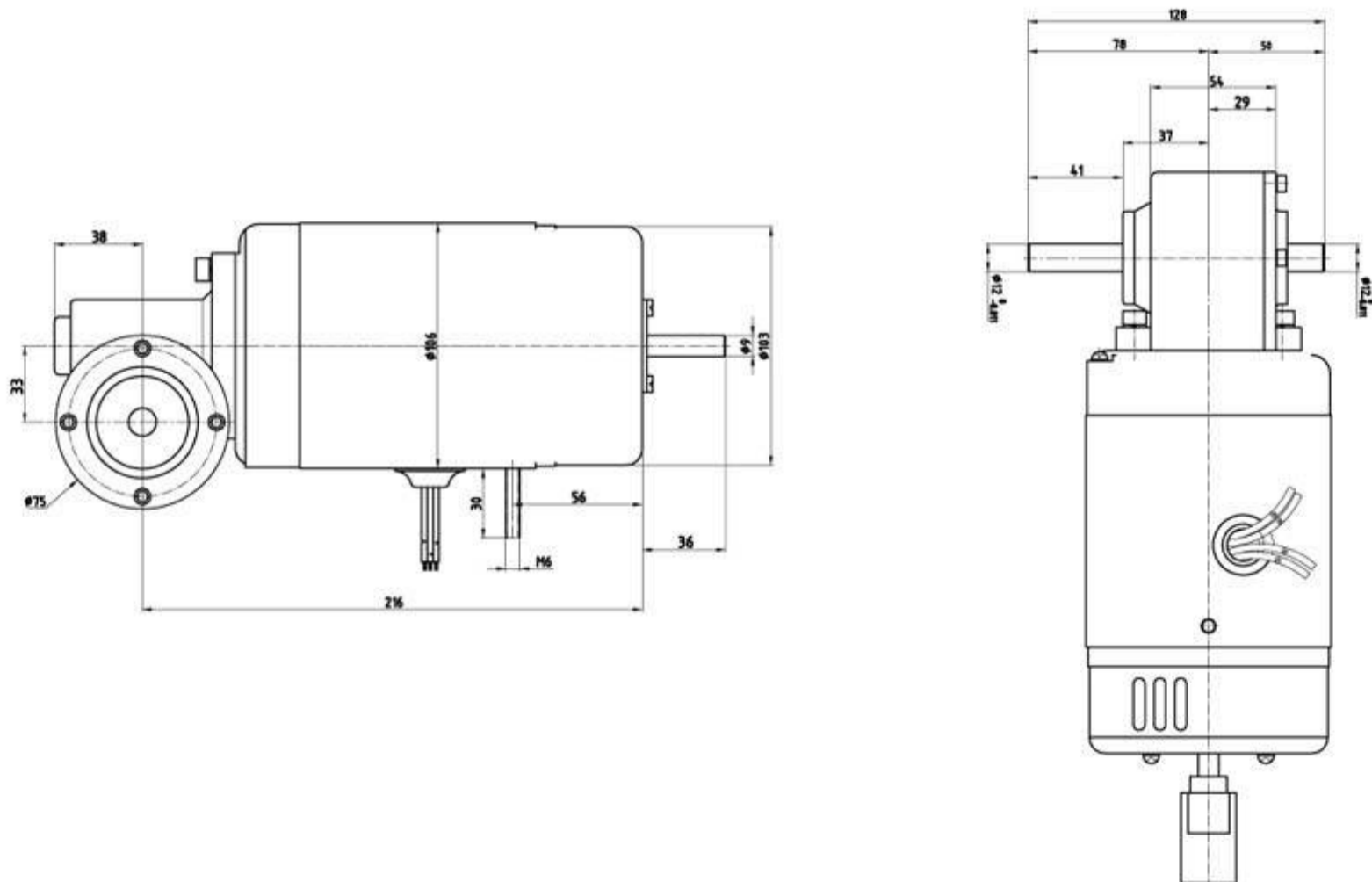
**Part No.:**  
HDZ-25506A



## Major Technical Parameters

Part No.	Rated Voltage (V)	Rated Current (A)	Rated Power (W)	Rated Speed (r/min)	Rated Torque (N.m)	Working System (1min)
HDZ-25506A	AC 220	4.80	550	600	8.76	S2 1min

## Outline Drawing



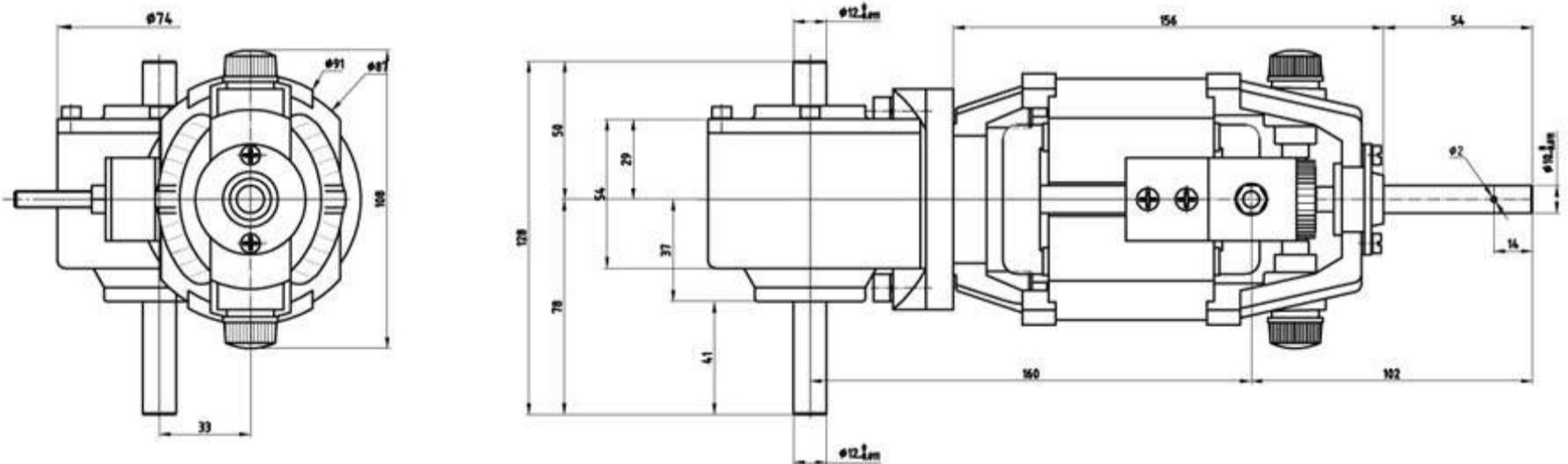
**Part No.:**  
HDZ-23240A



## Major Technical Parameters

Part No.	Rated Voltage (V)	Rated Current (A)	Rated Power (W)	Rated Speed (r/min)	Rated Torque (N.m)	Working System (1min)
HDZ-23240A	AC/DC 220	3.20	320	4000	0.76	S2 1min

## Outline Drawing



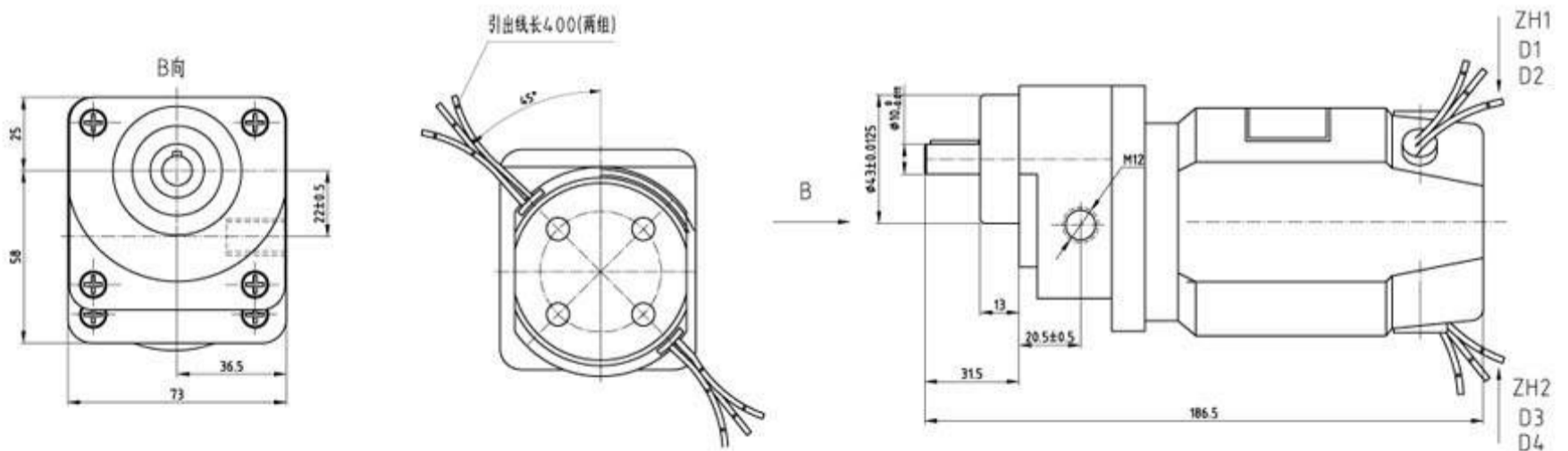
**Part No.:**  
HDZ-22408C



## Major Technical Parameters

Part No.	Rated Voltage (V)	Rated Current (A)	Rated Power (W)	Rated Speed (r/min)	Rated Torque (N.m)	Working System (1min)
HDZ-22408C	AC/DC 220	2.0	240	800	2.90	S2 1min
HDZ-22406C	AC/DC 220	2.0	240	600	3.80	S2 1min

## Outline Drawing



**Part No.:**  
HDZ-22403C

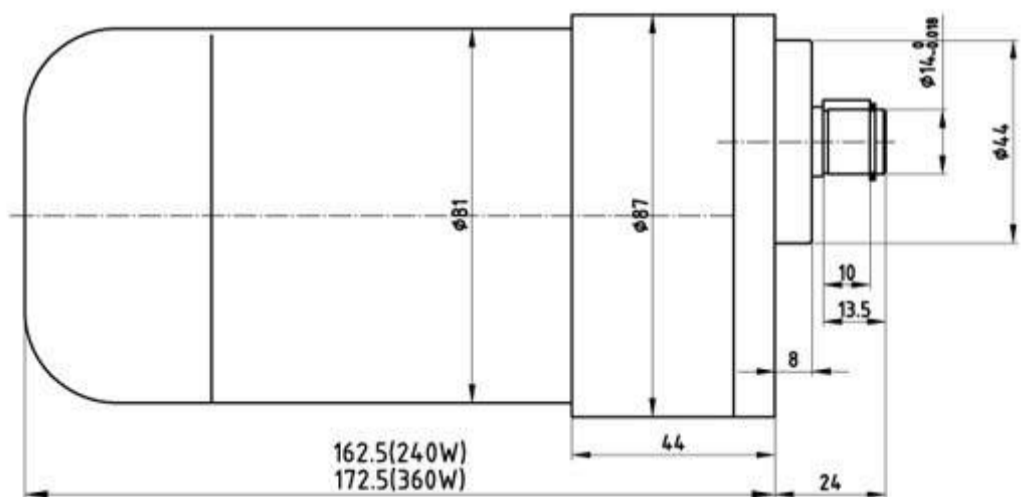
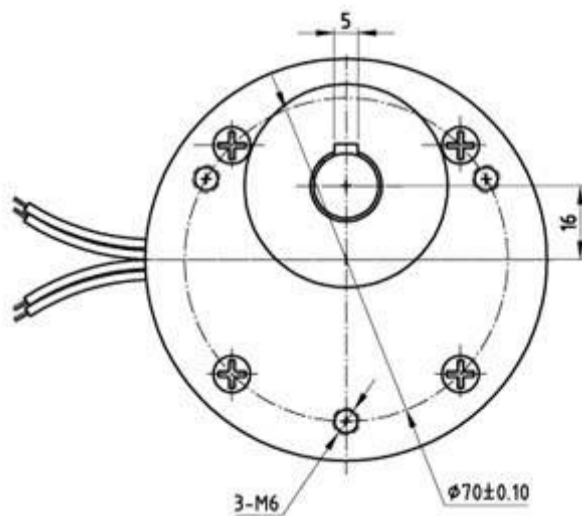
**Application:**  
Isolating switch combination units



## Major Technical Parameters

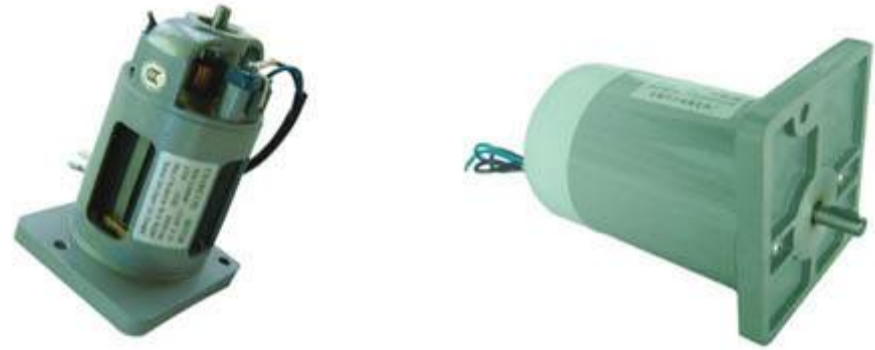
Part No.	Rated Voltage (V)	Rated Current (A)	Rated Power (W)	Rated Speed (r/min)	Rated Torque (N.m)	Working System (1min)
HDZ-22403C	AC/DC 220	2.20	240	300	7.60	S2 1min
HDZ-12403C	AC/DC 110	4.40	240	300	7.60	S2 1min
HDZ-23603C	AC/DC 220	2.80	360	300	11.50	S2 1min
HDZ-13603C	AC/DC 110	5.60	360	300	11.50	S2 1min

## Outline Drawing



**Part No.:**  
HDZ-22880B

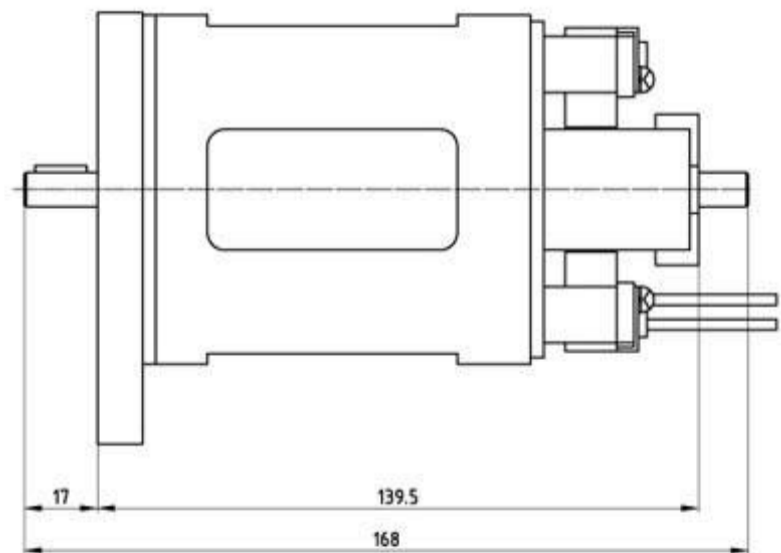
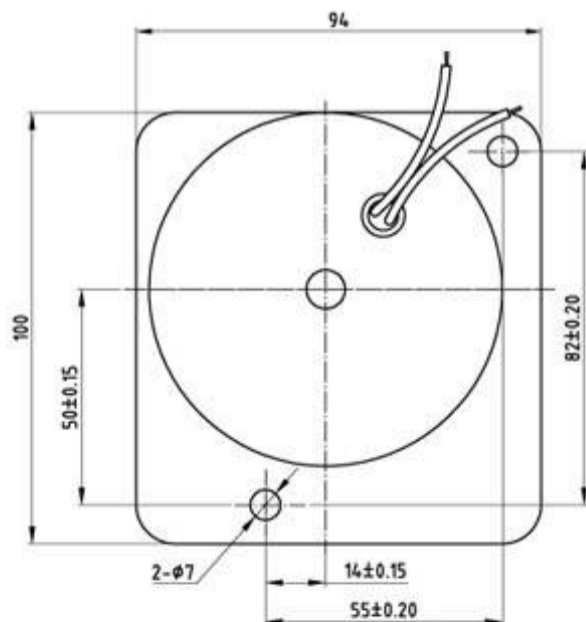
**Application:**  
3AF vacuum circuit breaker



## Major Technical Parameters

Part No.	Rated Voltage (V)	Rated Current (A)	Rated Power (W)	Rated Speed (r/min)	Rated Torque (N.m)	Working System (1min)
HDZ -22880B	AC/DC 220	2.2	275	8000	0.33	S2 1min
HDZ -12880B	AC/DC 110	4.4	275	8000	0.33	S2 1min
HDZ -02880B	AC/DC 48	10.1	275	8000	0.33	S2 1min
HDZ -02880B	AC/DC 24	20.2	275	8000	0.33	S2 1min

## Outline Drawing



**Part No.:**  
HDZ-22080B

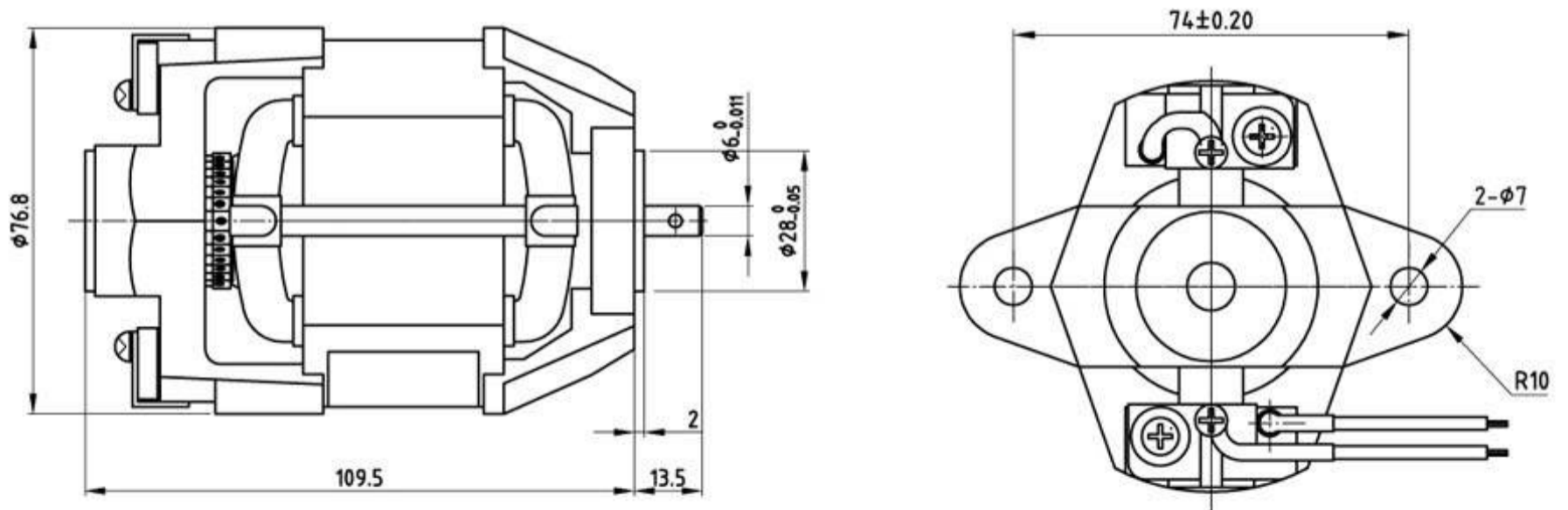
**Application:**  
3AH vacuum circuit breaker



## Major Technical Parameters

Part No.	Rated Voltage (V)	Rated Current (A)	Rated Power (W)	Rated Speed (r/min)	Rated Torque (N.m)	Working System (1min)
HDZ-22080B	AC/DC 220	1.80	200	8000	0.24	S2 1min
HDZ-12080B	AC/DC 110	3.6	200	8000	0.24	S2 1min

## Outline Drawing



**Part No.:**  
HDZ-16080A

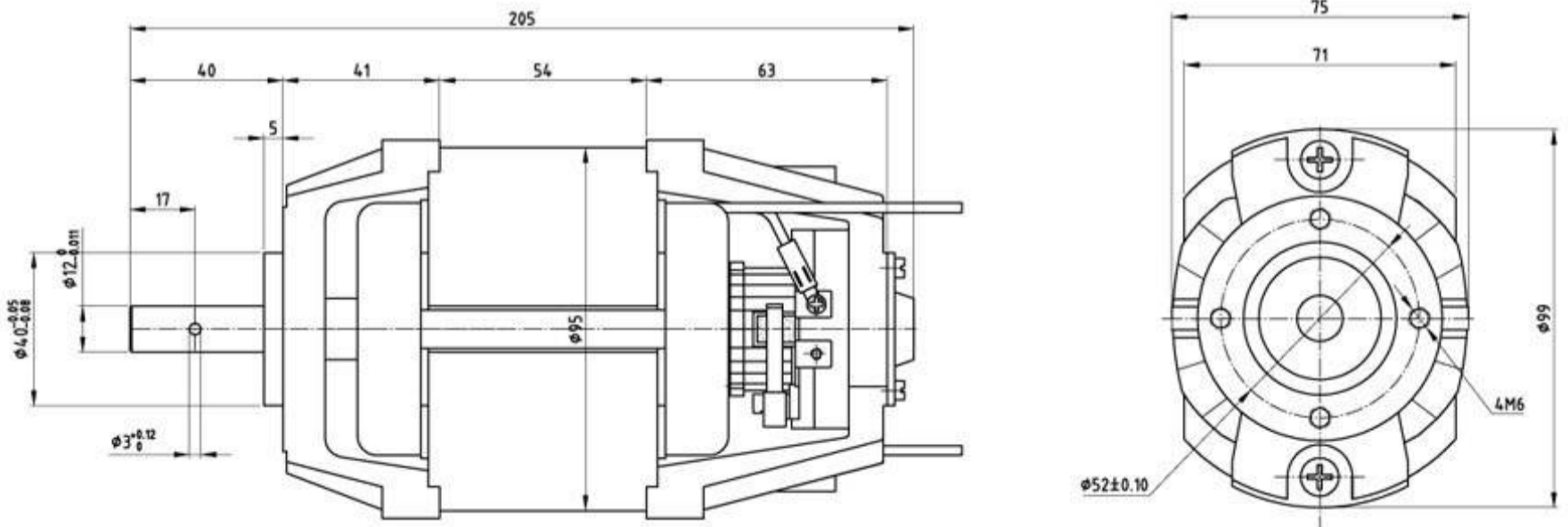
**Application:**  
High voltage vacuum circuit breaker



### Major Technical Parameters

Part No.	Rated Voltage (V)	Rated Current (A)	Rated Power (W)	Rated Speed (r/min)	Rated Torque (N.m)	Working System (1min)
HDZ-16080A	AC/DC 110	9.60	600	8000	0.71	S2 1min
HDZ-26080A	AC/DC 220	4.80	600	8000	0.71	S2 1min

### Outline Drawing



## Part No.:

HDZ-26005B HDZ-24580B

## Application:

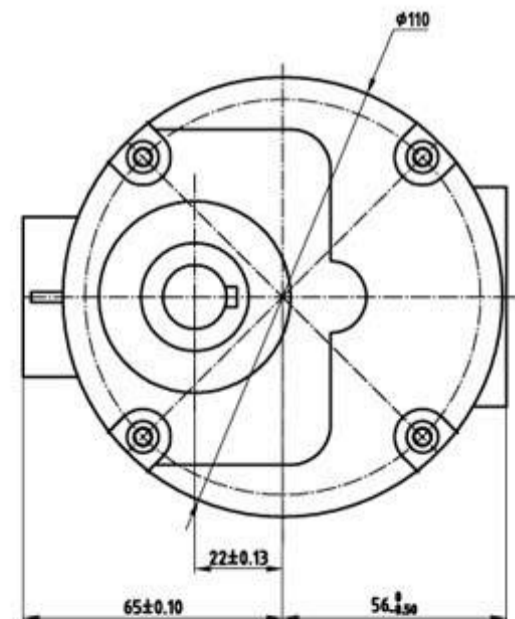
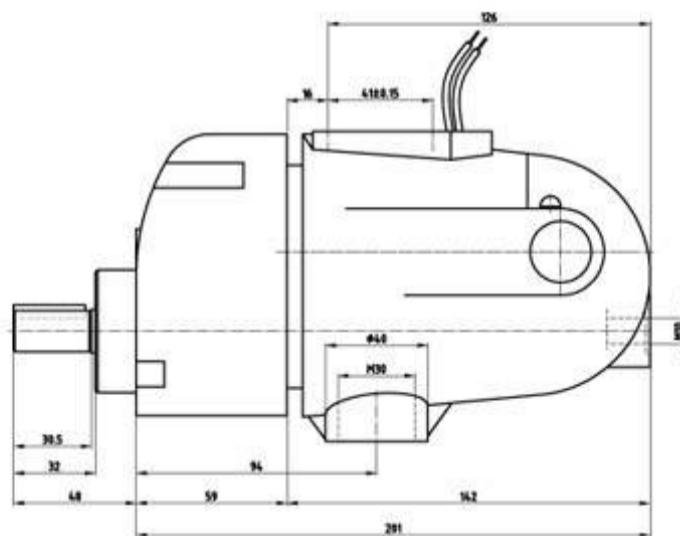
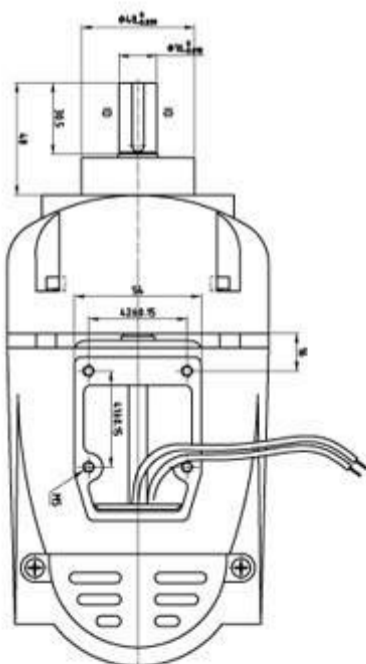
CT30 spring operation mechanism



## Major Technical Parameters

Part No.	Rated Voltage (V)	Rated Current (A)	Rated Power (W)	Rated Speed (r/min)	Rated Torque (N.m)	Working System (1min)
HDZ -26005B	AC/DC 220	5.00	600	530	10.80	S2 1min
HDZ -16005B	AC/DC 110	9.60	600	530	10.80	S2 1min
HDZ -24580B	AC/DC 220	3.50	450	480	9.00	S2 1min
HDZ -14580B	AC/DC 110	7.00	450	480	9.00	S2 1min

## Outline Drawing





## Part No.:

HDZ-22405A

## Application:

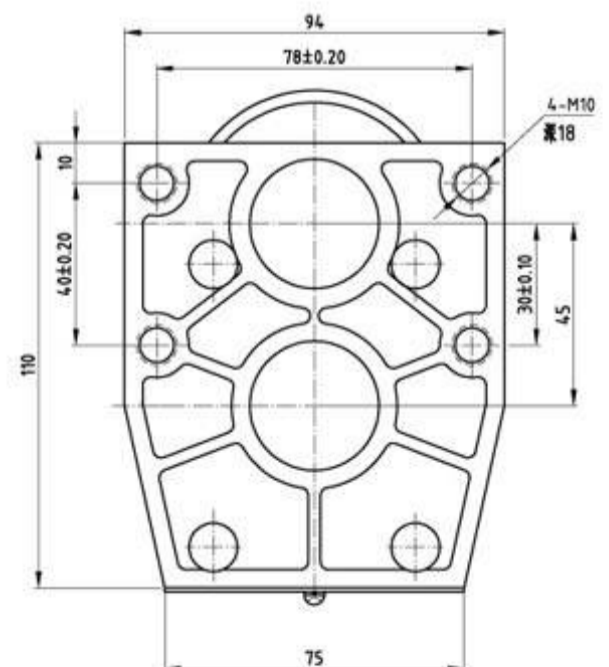
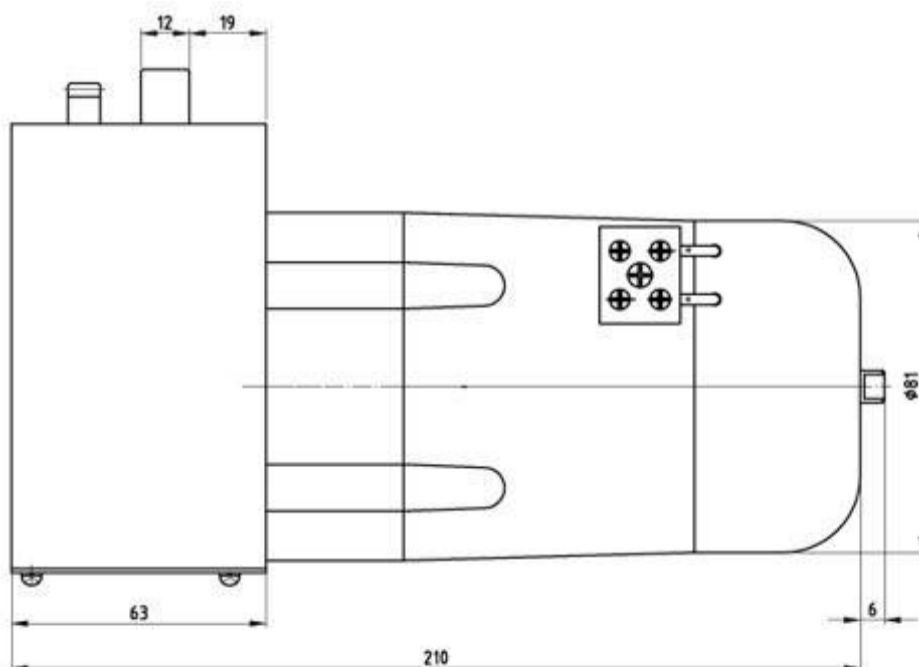
CT8,CT10 spring charging device



## Major Technical Parameters

Part No.	Rated Voltage (V)	Rated Current (A)	Rated Power (W)	Rated Speed (r/min)	Rated Torque (N.m)	Working System (1min)
HDZ -22405A	AC/DC 220	2.0	240	530	4.30	S2 1min
HDZ -12405A	AC/DC 110	4.0	240	530	4.30	S2 1min
HDZ -02405A	AC/DC 48	9.20	240	530	4.30	S2 1min
HDZ -02405A	AC/DC 24	18.40	240	530	4.30	S2 1min

## Outline Drawing



## Part No.:

HDZ-22005C

## Application:

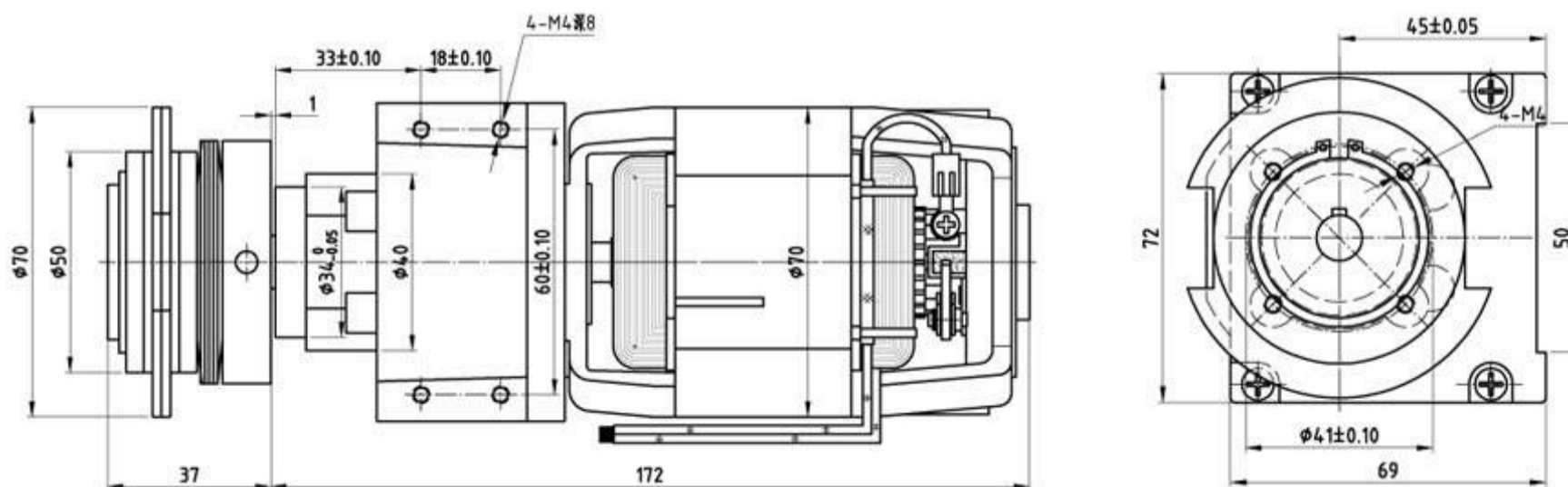
Railway high voltage vacuum circuit breaker



## Major Technical Parameters

Part No.	Rated Voltage (V)	Rated Current (A)	Rated Power (W)	Rated Speed (r/min)	Rated Torque (N.m)	Working System (1min)
HDZ-22005C	AC/DC 220	1.8	200	500	3.80	S2 1min
HDZ-12005C	AC/DC 110	3.6	200	500	3.80	S2 1min
HDZ-02005C	AC/DC 60	6.0	200	500	3.80	S2 1min

## Outline Drawing



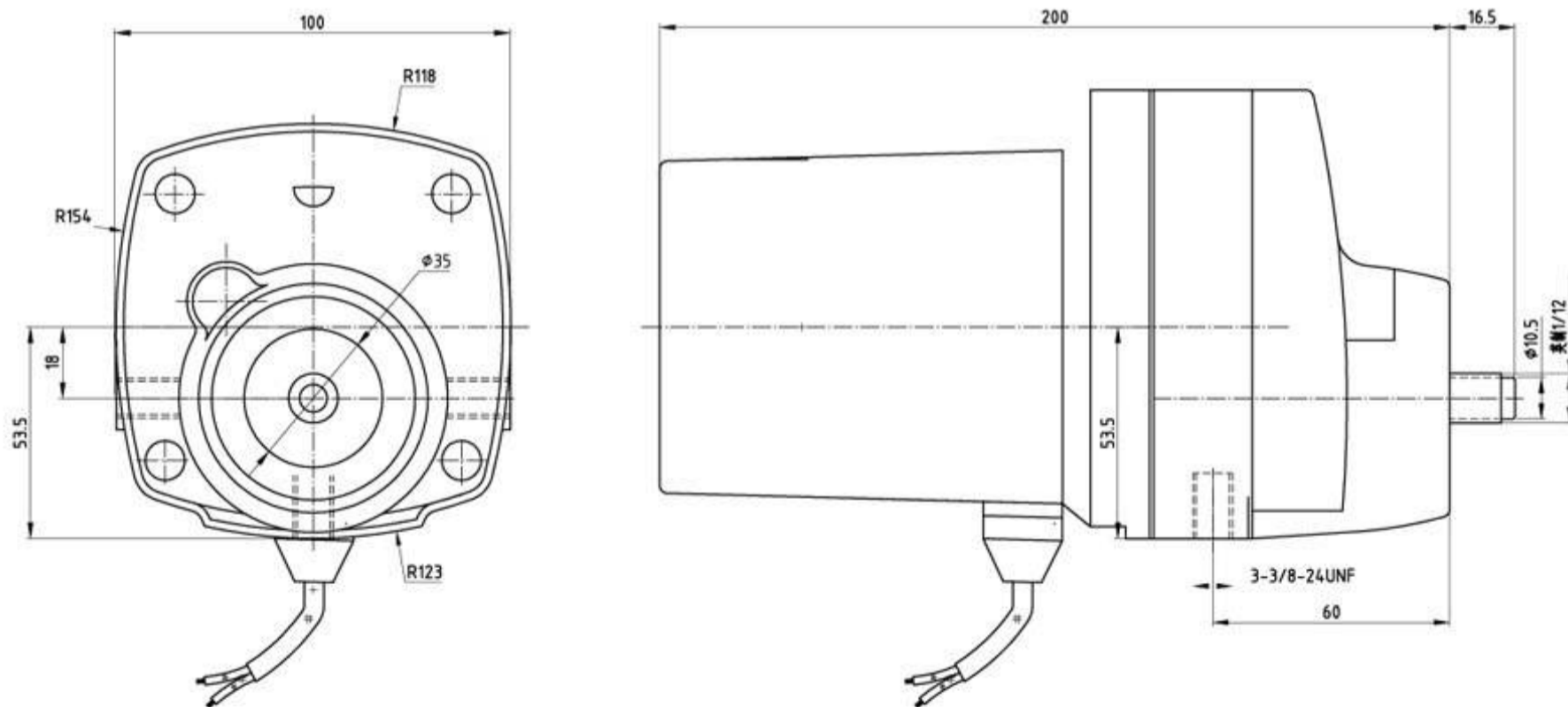
**Part No.:**  
HDZ-12005B



## Major Technical Parameters

Part No.	Rated Voltage (V)	Rated Current (A)	Rated Power (W)	Rated Speed (r/min)	Rated Torque (N.m)	Working System (1min)
HDZ-12005B	AC/DC 120	4	200	500	3.82	S2 1min

## Outline Drawing



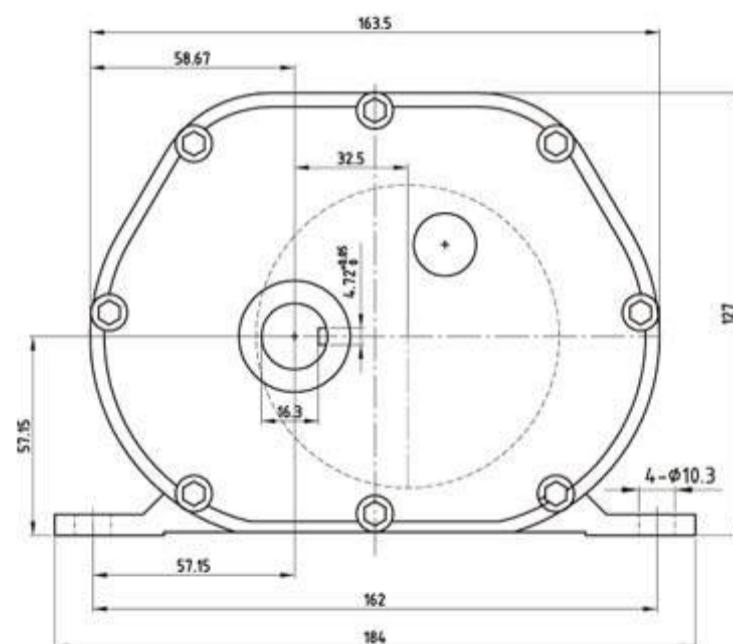
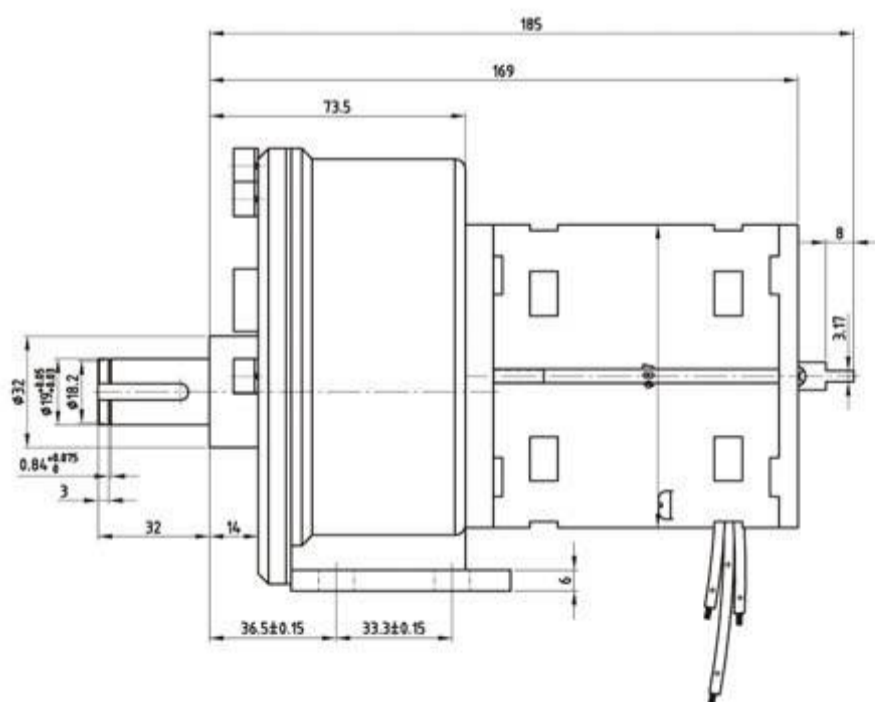
**Part No.:**  
YYCJ-8504



### Major Technical Parameters

Part No.	Rated Voltage (V)	Rated Current (A)	Rated Power (W)	Rated Speed (r/min)	Rated Torque (N.m)	Working System (1min)
YYCJ-8504	AC 115V	1.10	40	6.70	57.00	S2 1min

### Outline Drawing



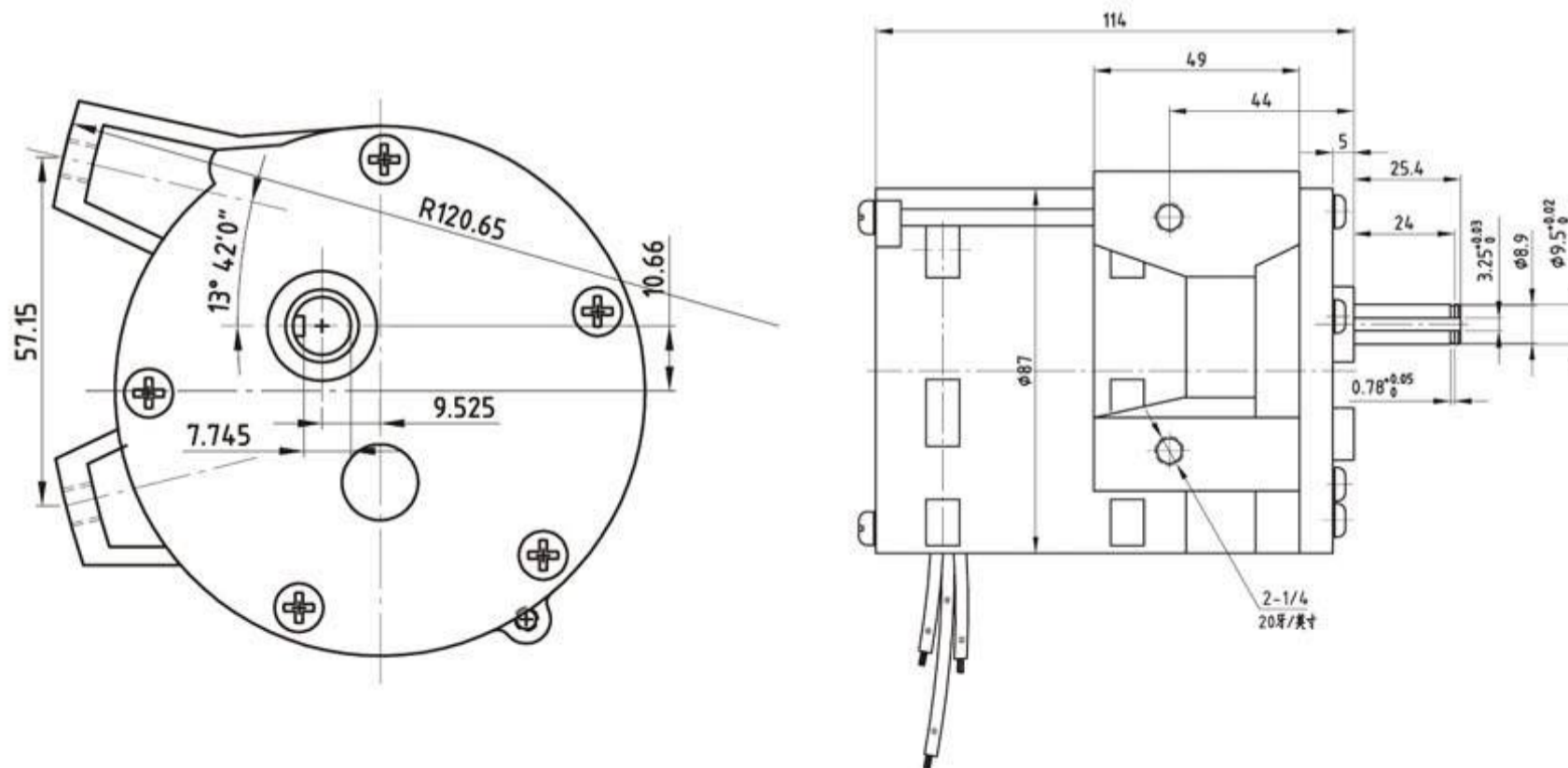
**Part No.:**  
YYCJ-8502



### Major Technical Parameters

Part No.	Rated Voltage (V)	Rated Current (A)	Rated Power (W)	Rated Speed (r/min)	Rated Torque (N.m)	Working System (1min)
YYCJ-8502	AC 115V	0.55	20	9.50	20.13	S2.1min

### Outline Drawing



**Part No.:**

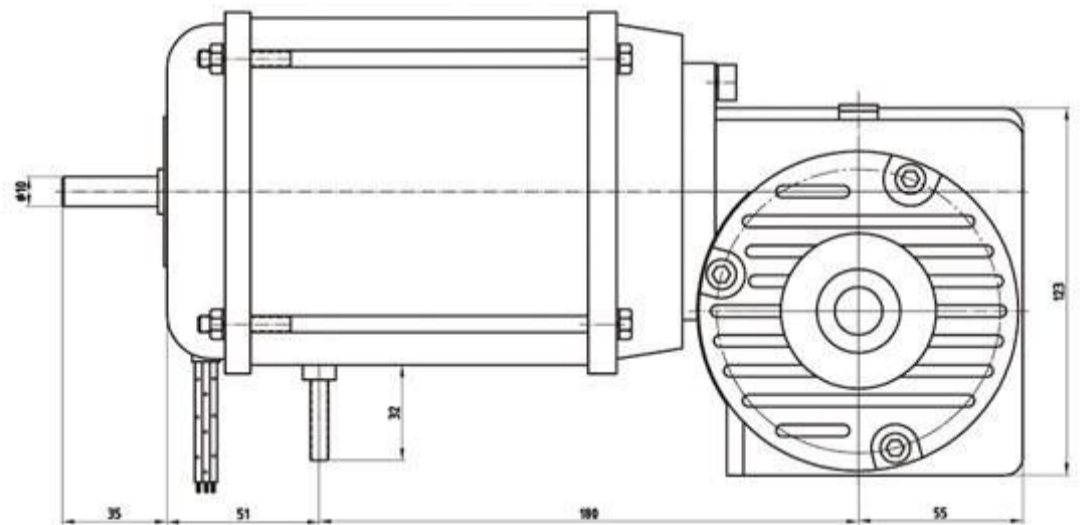
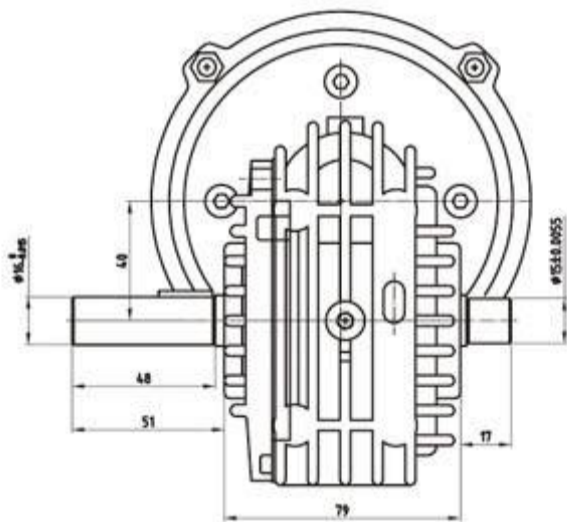
YSOJ-050



**Major Technical Parameters**

Part No.	Rated Voltage (V)	Rated Current (A)	Rated Power (W)	Rated Speed (r/min)	Rated Torque (N.m)	Working System (1min)
YSOJ-050	AC 380V	1.78	500	350	13.65	S2 1min

**Outline Drawing**



**Part No.:**

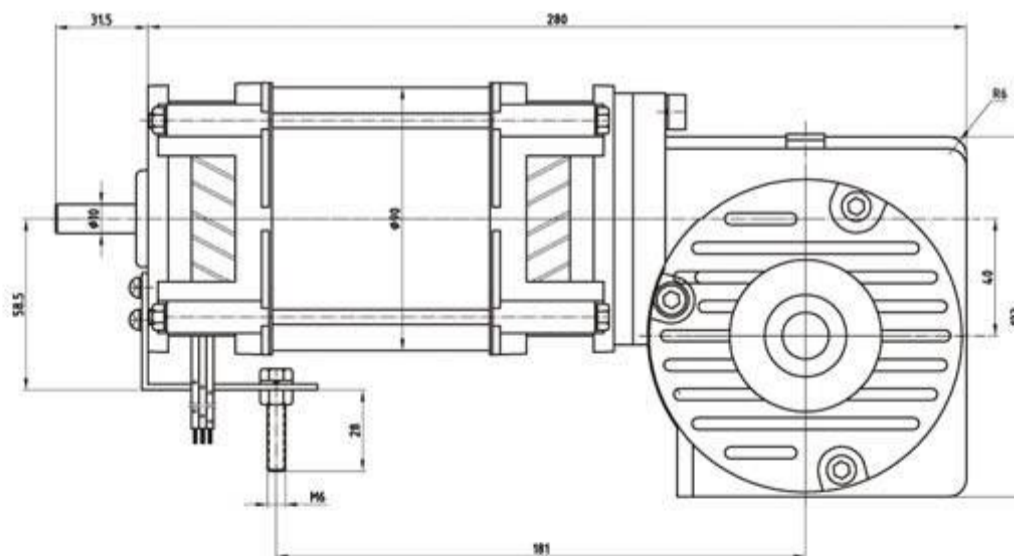
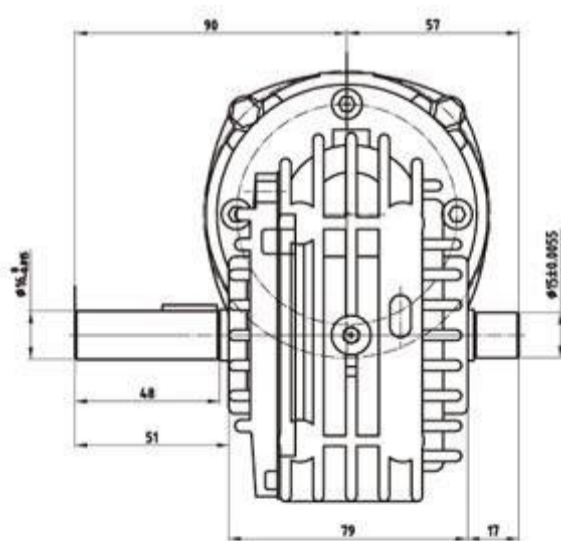
YSOJ-050-0



**Major Technical Parameters**

Part No.	Rated Voltage (V)	Rated Current (A)	Rated Power (W)	Rated Speed (r/min)	Rated Torque (N.m)	Working System (1min)
YSOJ-050-0	AC 380V	1.78	500	140	34	S2 1min

**Outline Drawing**



无锡江南奕帆电力传动科技股份有限公司  
JIANGNAN YIFAN MOTOR CO., LTD

**YIFAN MOTOR, Gearing your business up!**

地址: 江苏省无锡市惠山经济开发区堰桥配套区堰裕路7号

Add: No.7 Yanyu Road Yanqiao Industrial Park Huishan District, Wuxi CHINA

邮编 / Post Code: 214174

电话 / Tel: 86-510-83570618

传真 / Fax: 86-510-83570683

[www.yifanmotor.com](http://www.yifanmotor.com)